

Figure 1. Generalized geology of the Salton Basin (after Robinson, et. al., 1976)

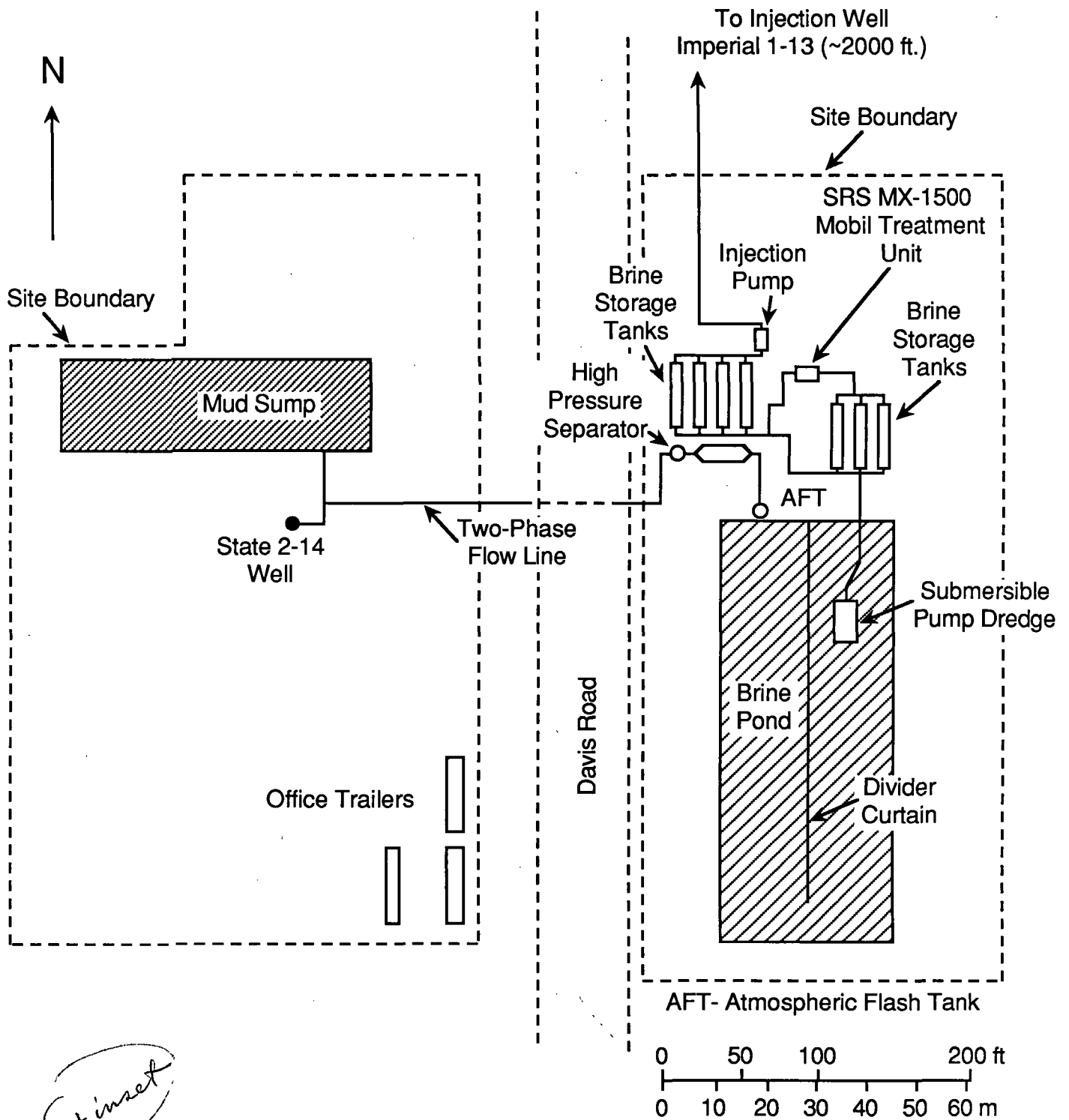
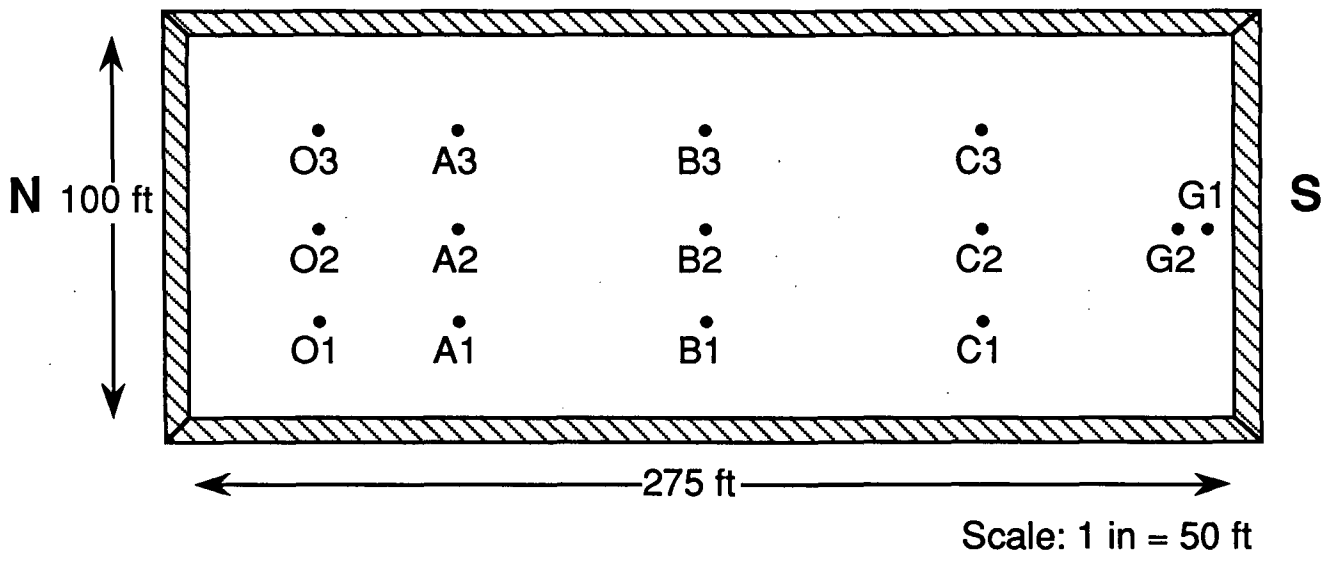
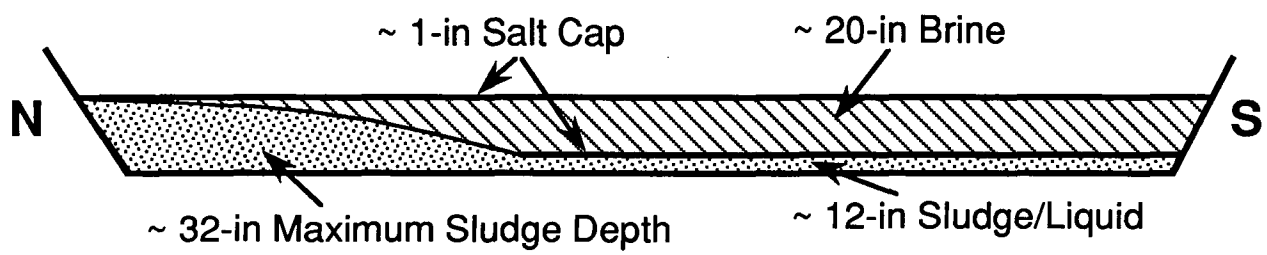


Figure 12.1 Location of brine pond and mud sump with schematic of cleanup units.



Sampling Stations



Not to Scale
Vertical Scale Exaggerated

**Sampling Program - SSSDP Brine Pond
Kennecott - State 2-14 Well
Sept. 15, 1988**

Fig. 12.2

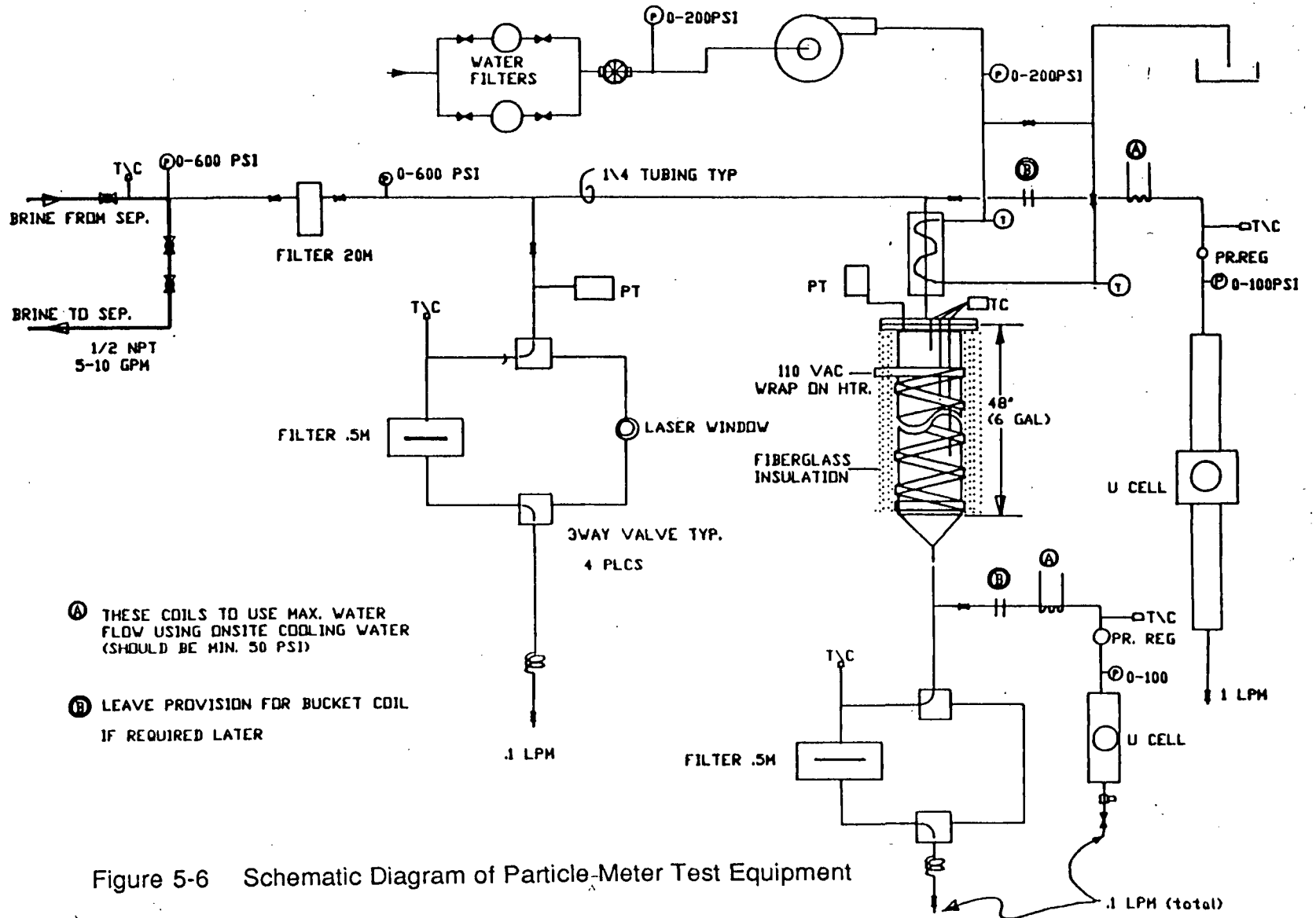
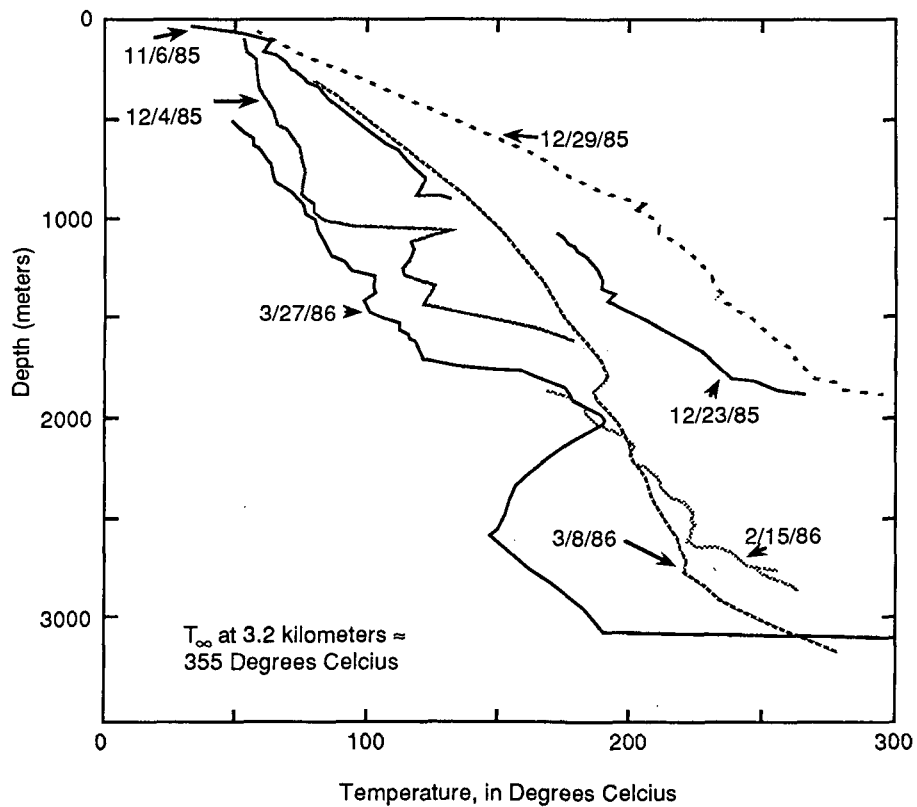
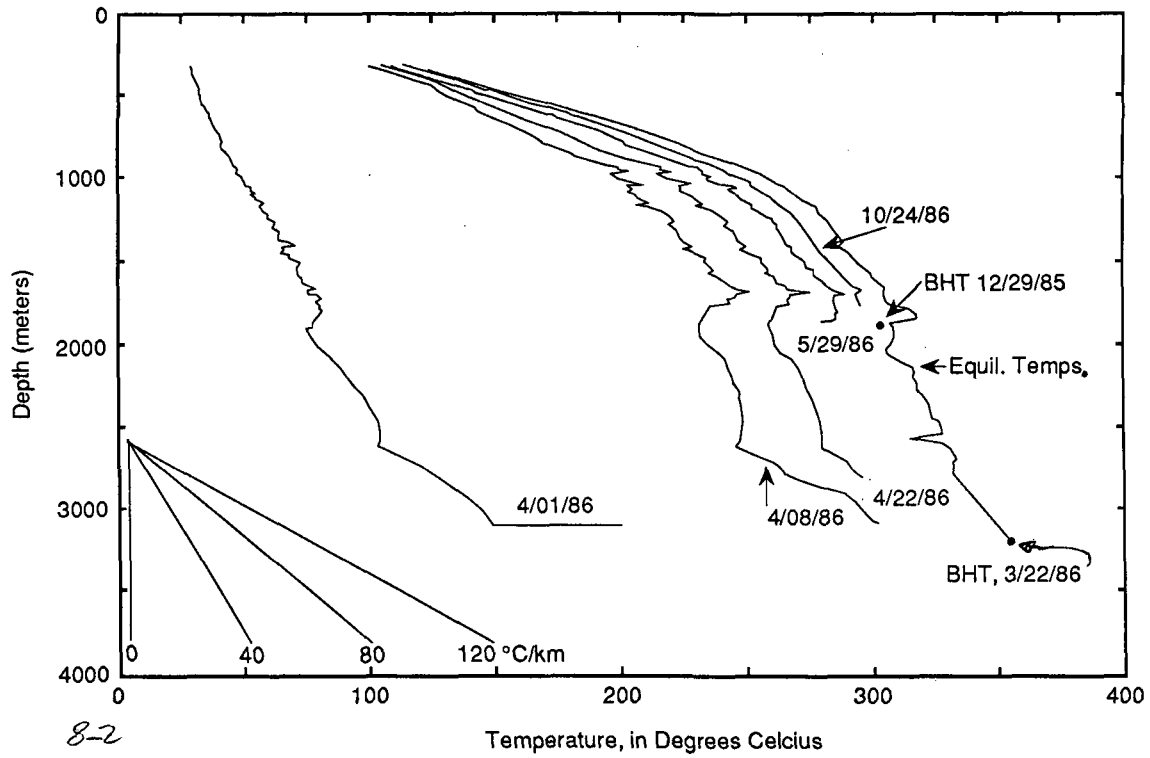


Figure 5-6 Schematic Diagram of Particle-Meter Test Equipment



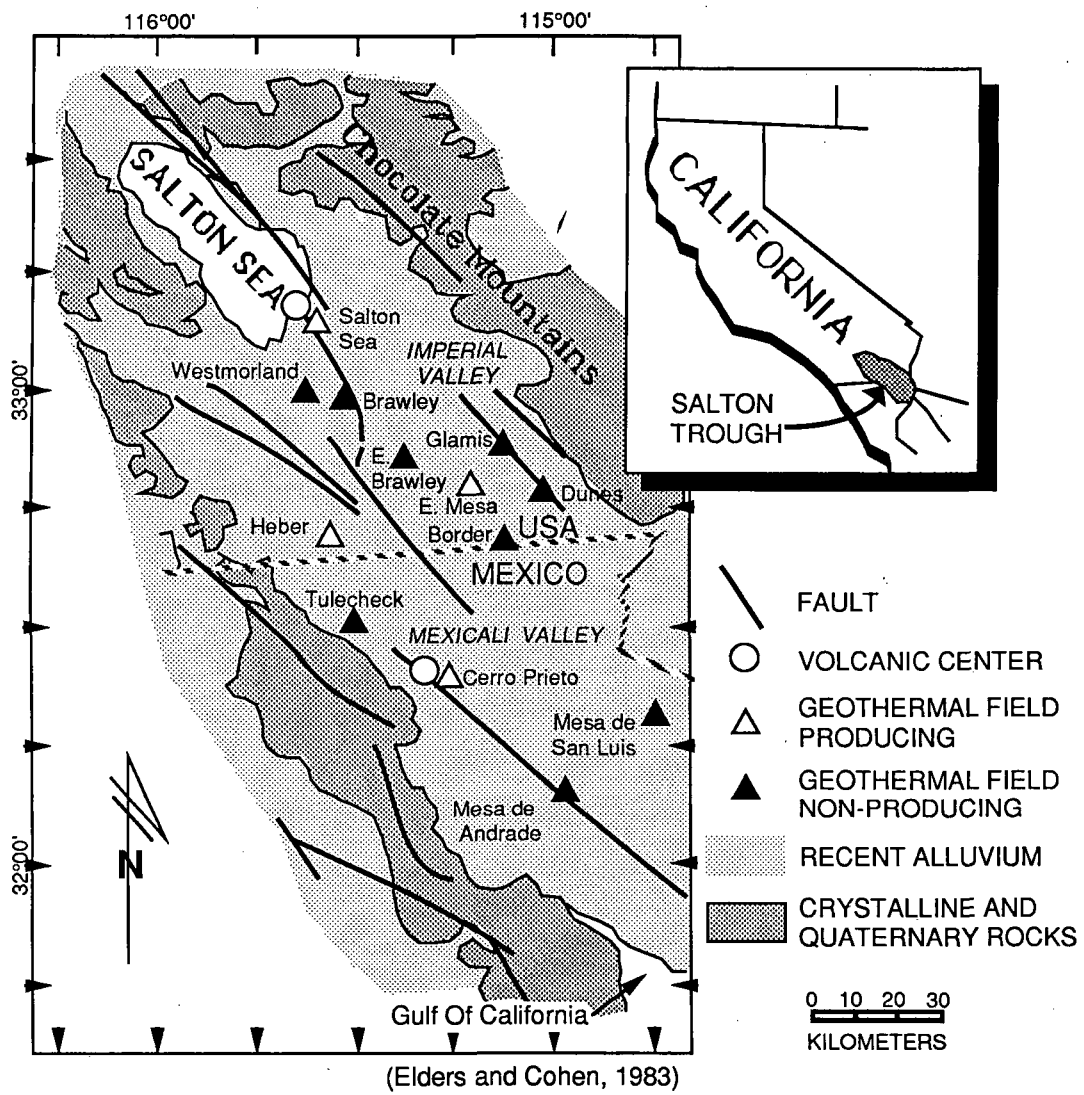


Fig 1-1
7-1

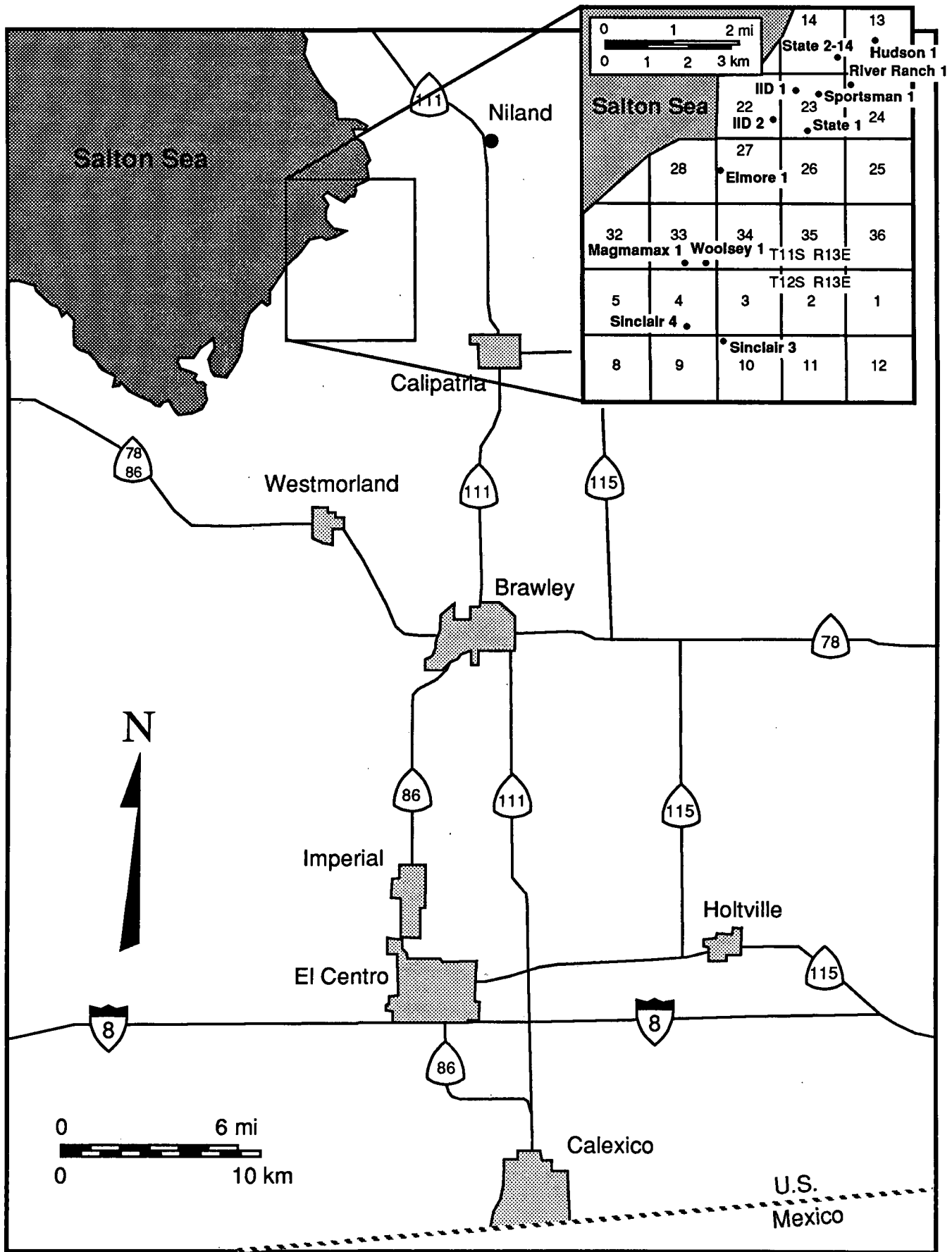


Fig 1-2

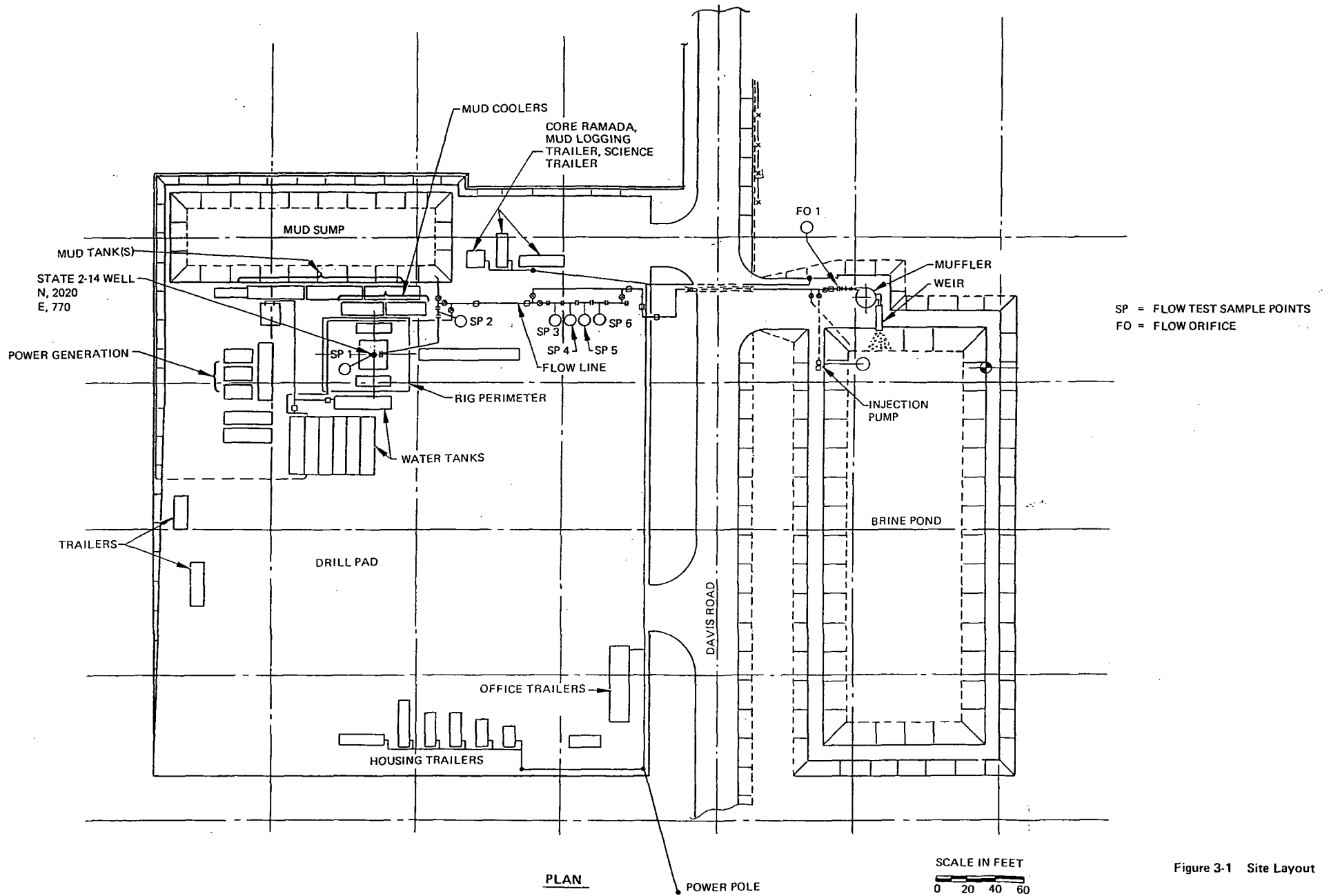


Figure 3-1 Site Layout

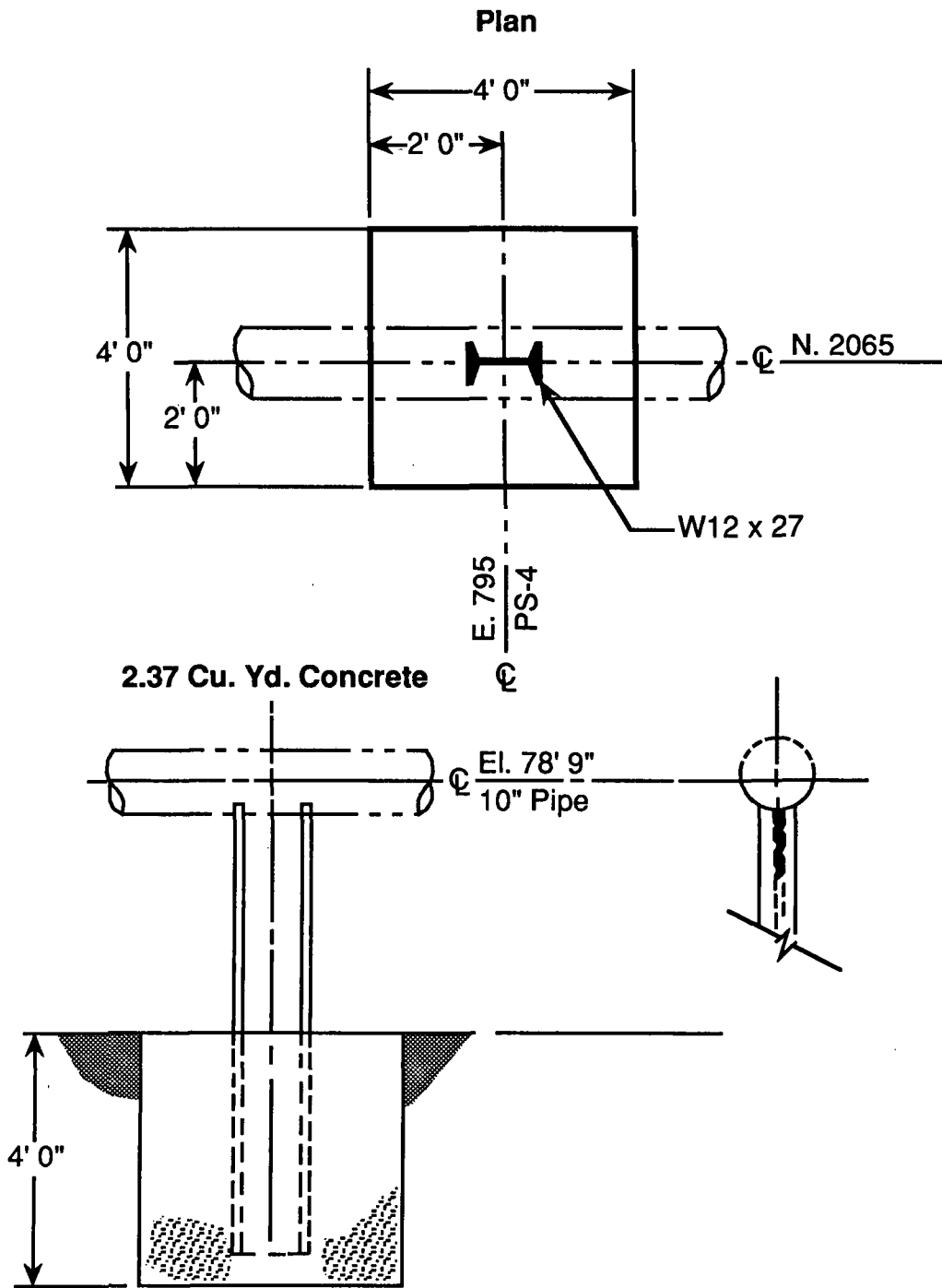


Figure 4-8 Thrust Block

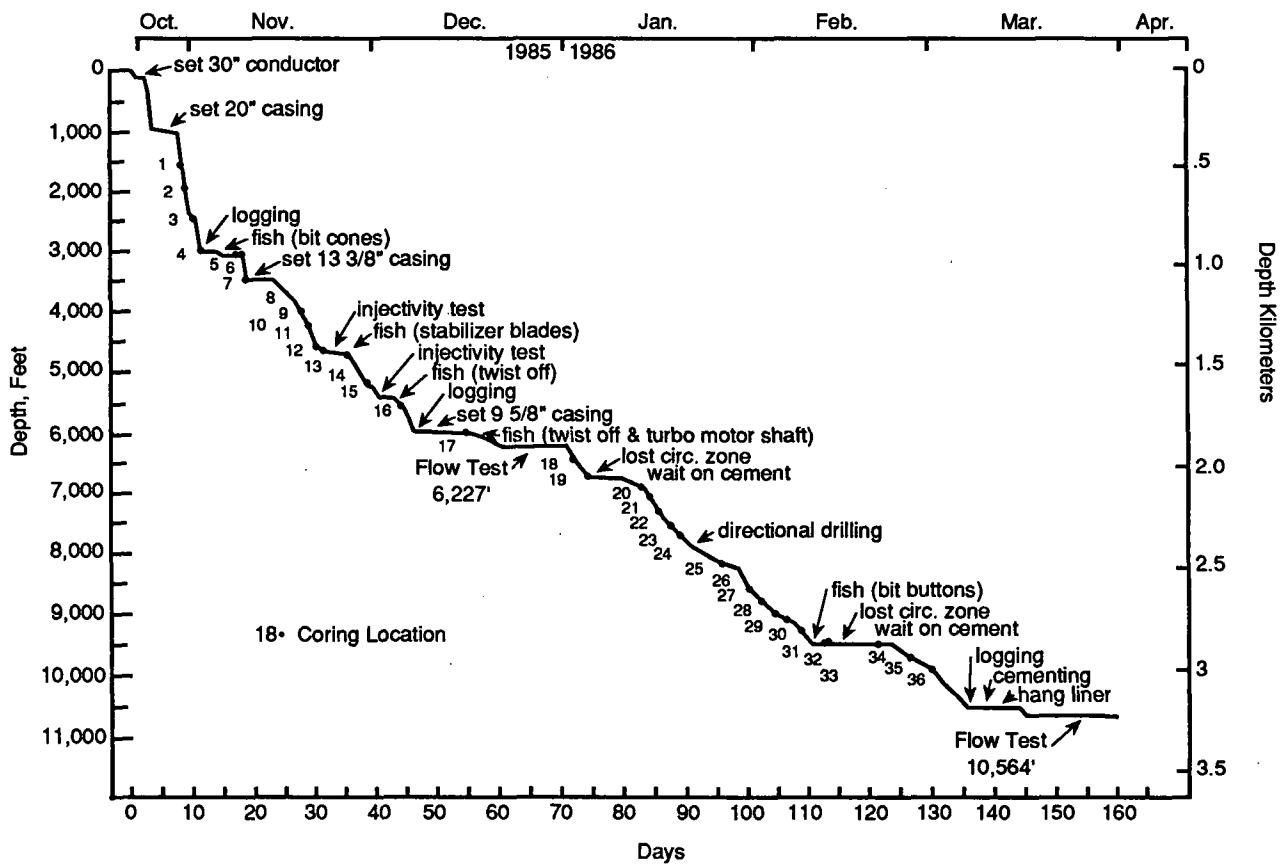
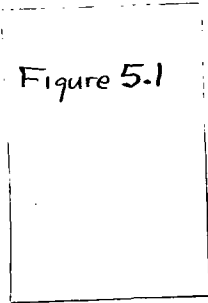
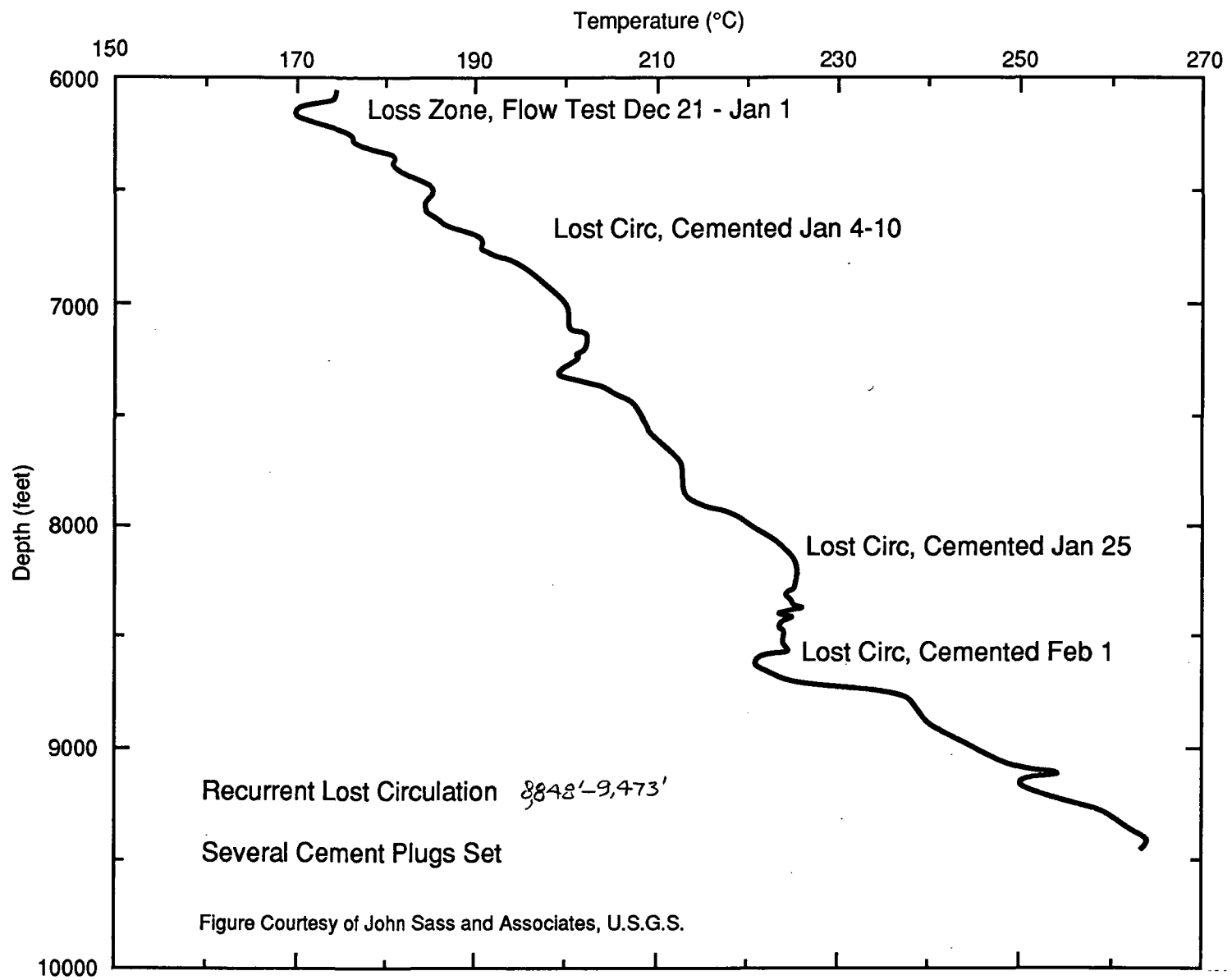


Figure courtesy of J. Sass and Associates, U.S.G.S.

Figure 5.1





USGS Temperature log, Feb 15, 1986, State 2-14 (SSSDP)

Figure 5.2

Figure 5-2 Plot of Temperature vs. Depth for State 2-14

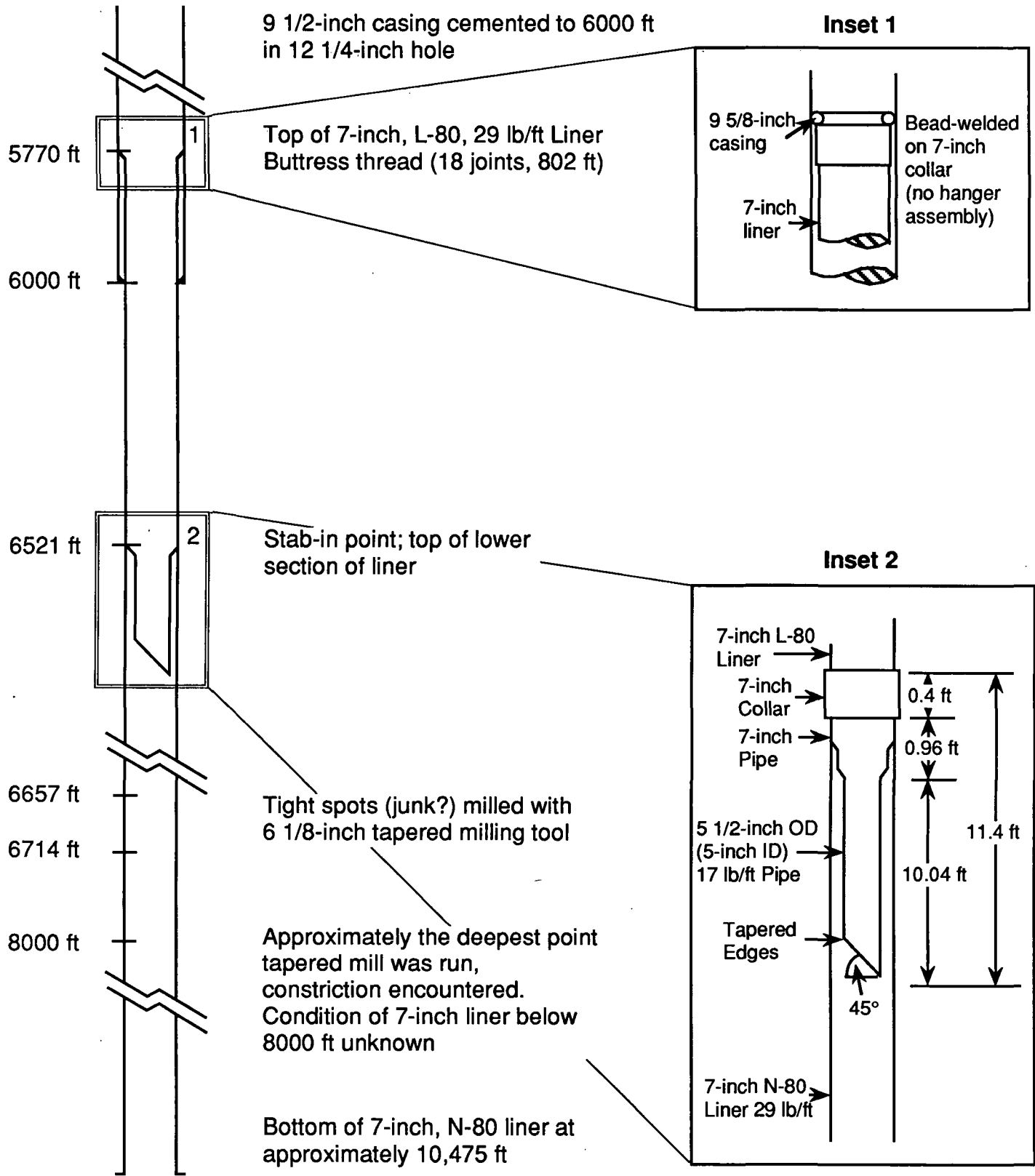


Figure Courtesy of R.H. Wallace, Jr.

Figure 5-3 Schematic of Wellbore Configuration After August 1986 Repairs

Fig. 5-3
Fig. 6-1

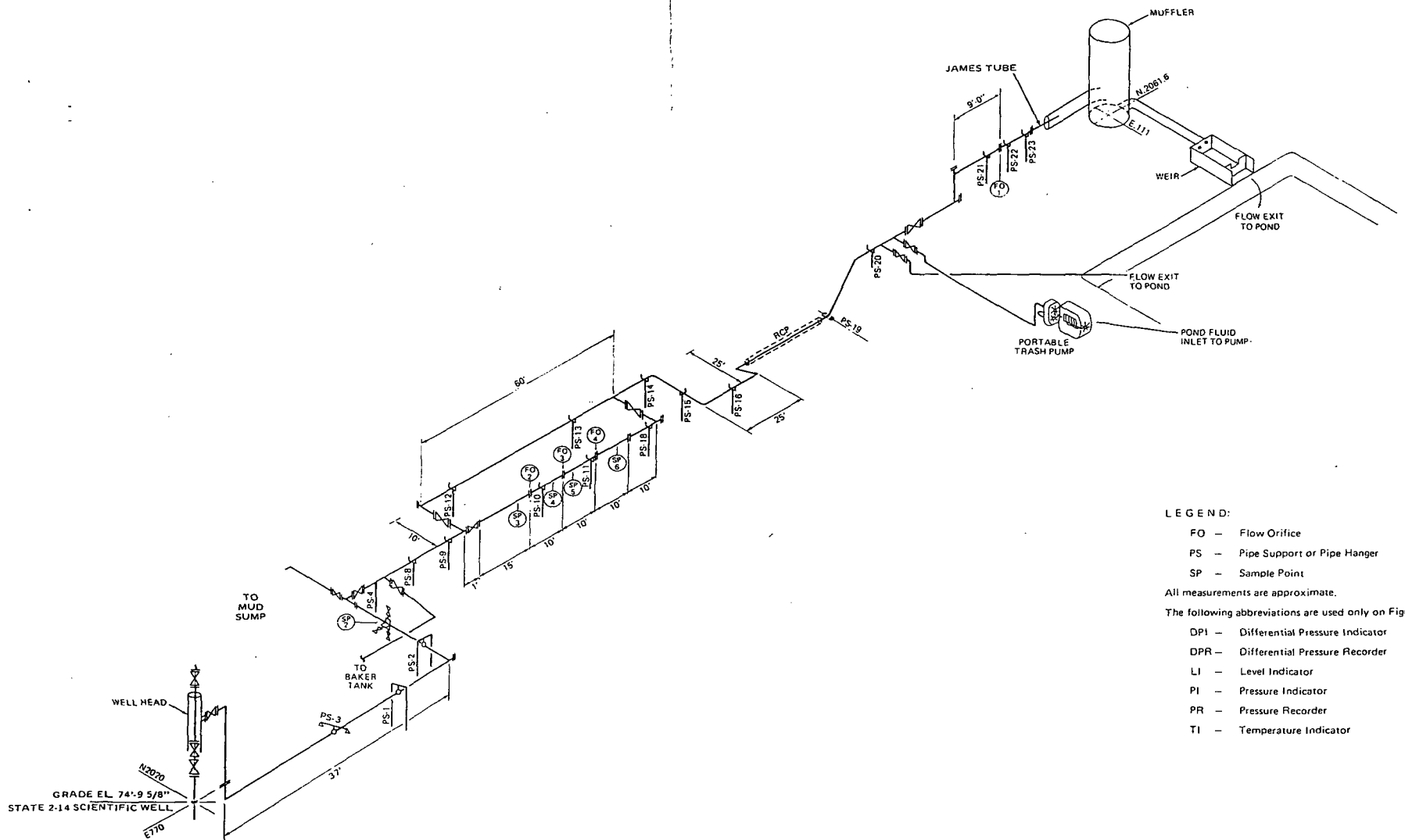
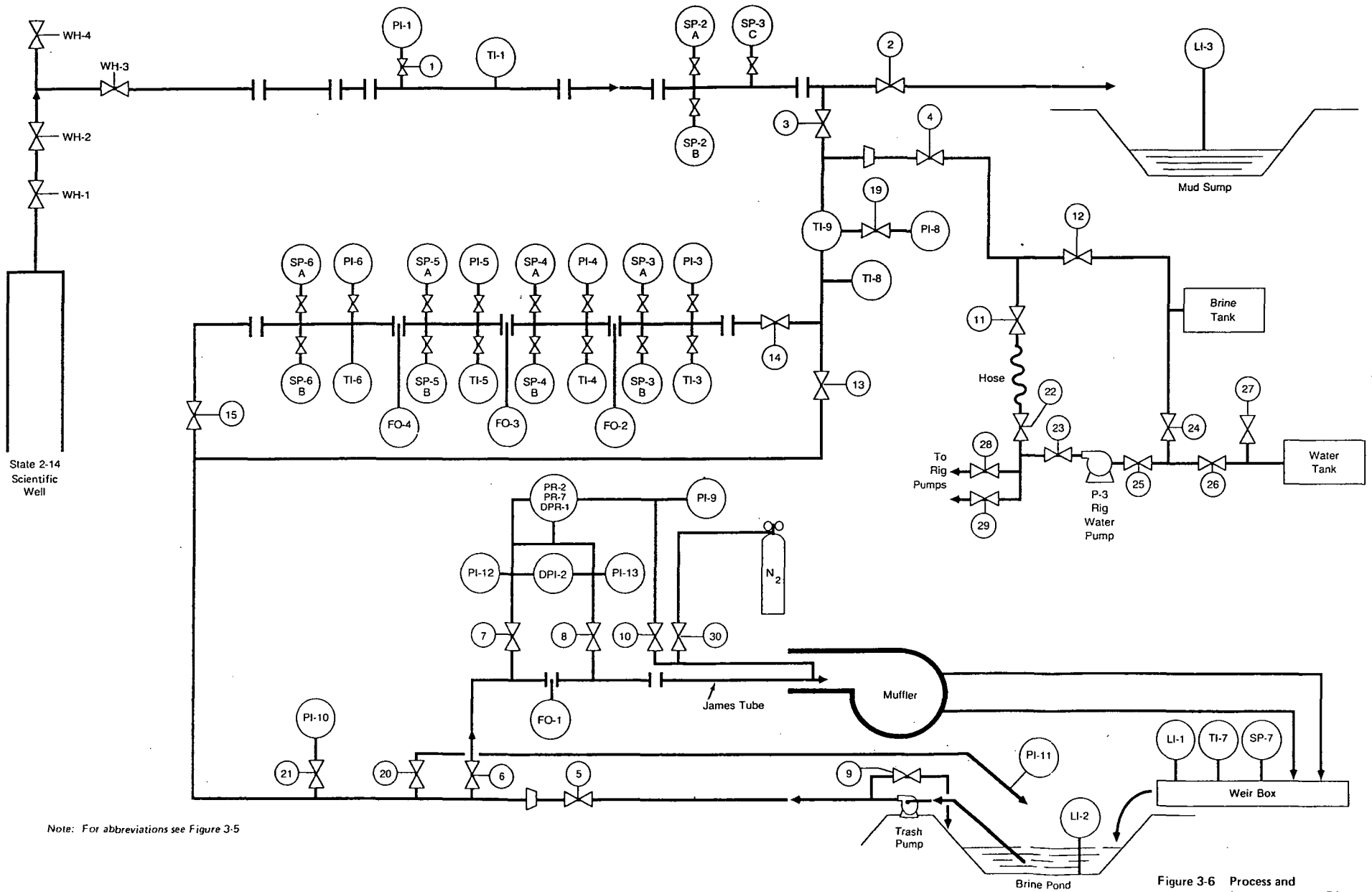
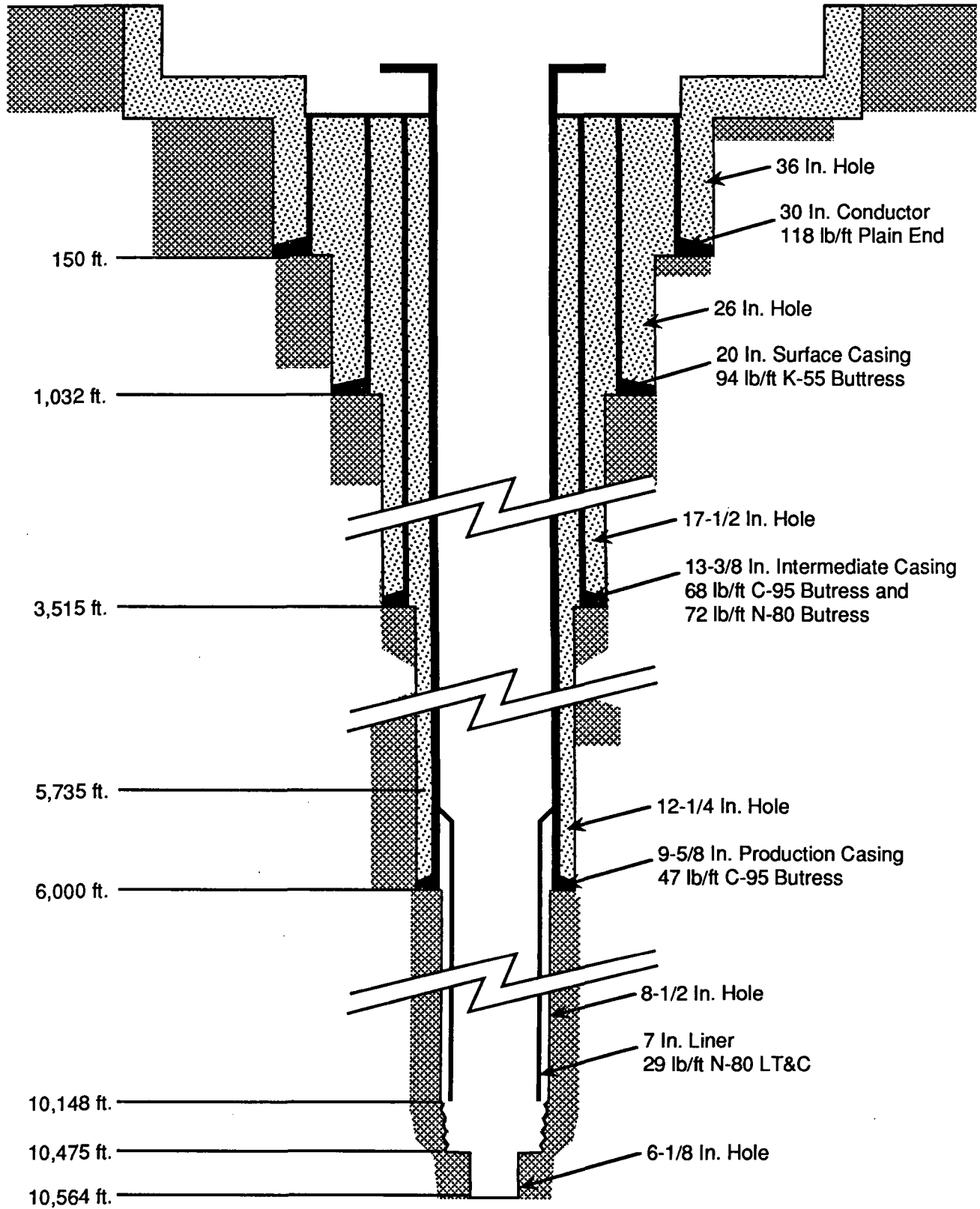


Figure 3-5 Flow Test Facility Assembly



Note: For abbreviations see Figure 3-5

Figure 3-6 Process and Instrumentation Diagram
3-14



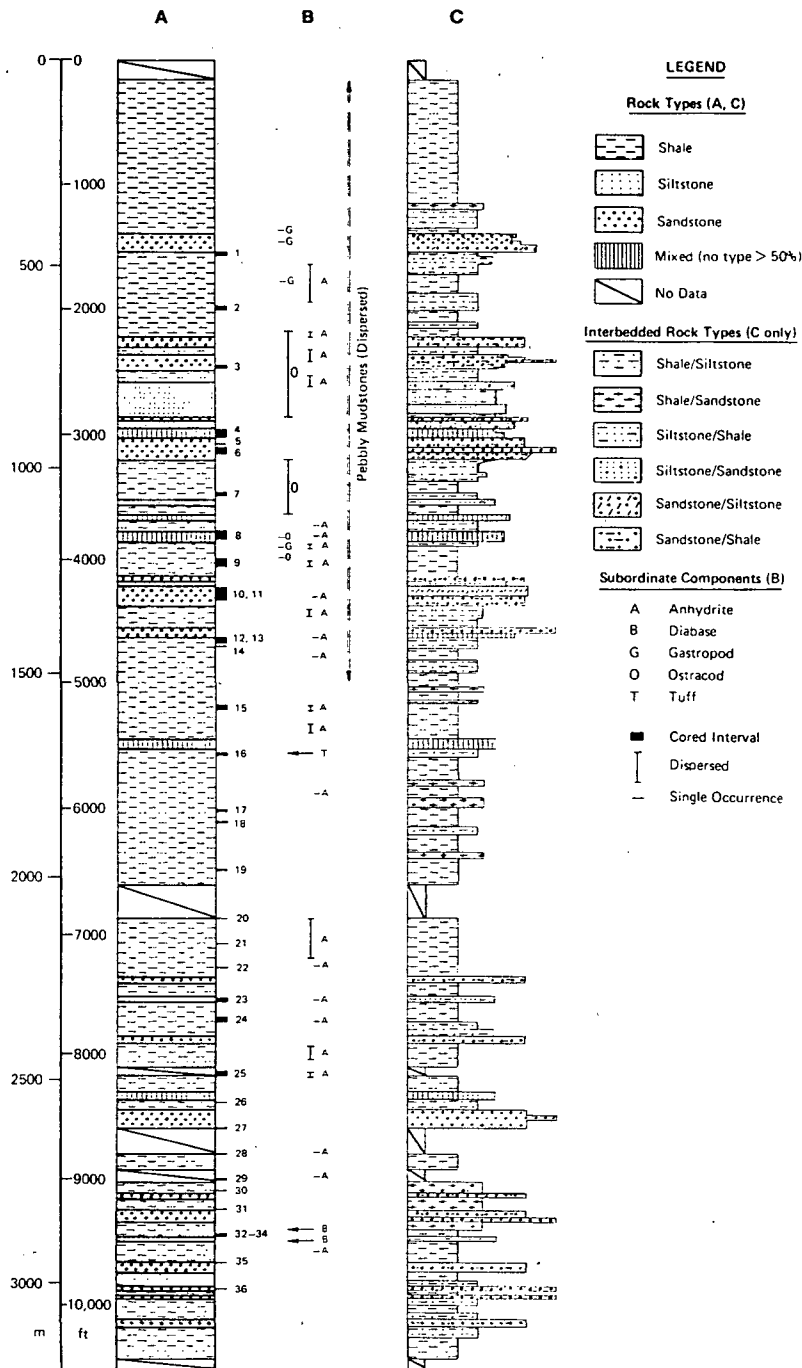
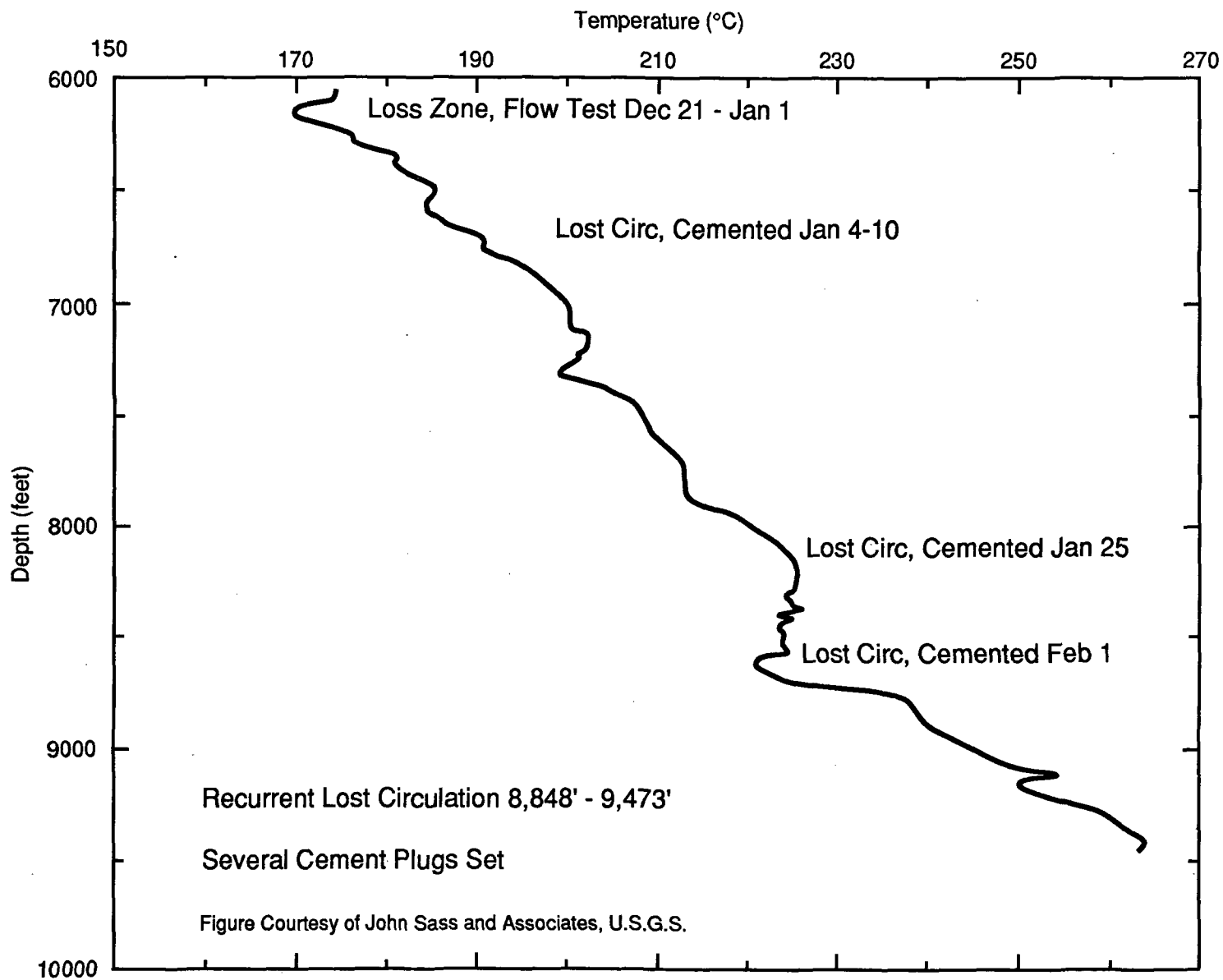


Fig. 2. Lithostratigraphic summary for the sedimentary rocks in the State 2-14 borehole; based on cored intervals, cuttings, and spontaneous potential and gamma ray logs (380-1830 m). Below a depth of 1830 m, the column is based only on the cored intervals and cuttings. (a) Generalized column showing the dominant rock types. (b) Cored intervals and subordinate components. (c) Blocky weathering profile emphasizing contrasts in sedimentary rock lithologies.

Figure 7.2



USGS Temperature log, Feb 15, 1986, State 2-14 (SSSDP)

Figure 5-2 Plot of Temperature vs. Depth for State 2-14

Fig 5-2

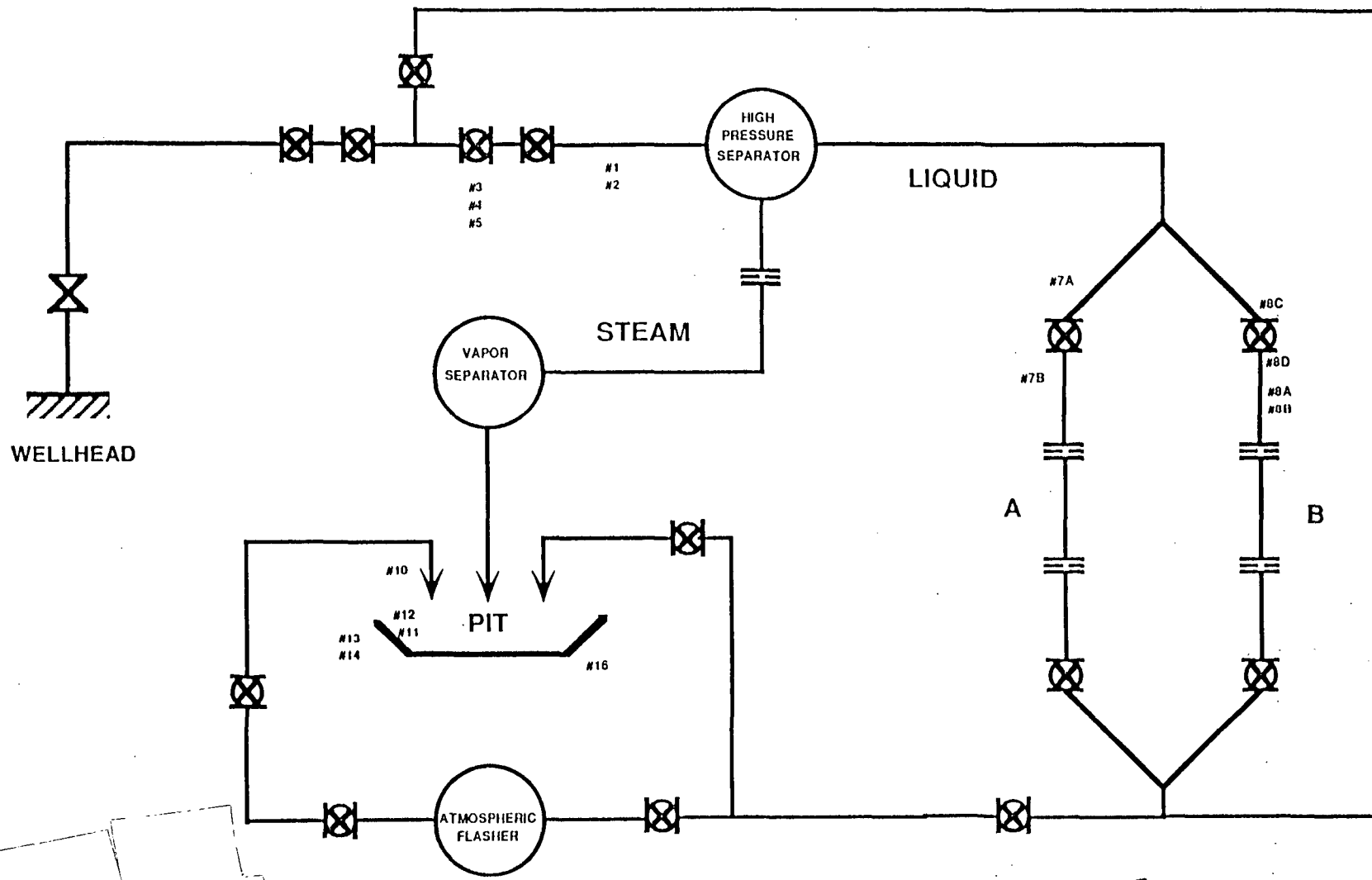
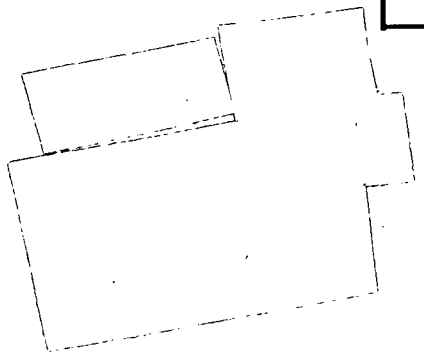
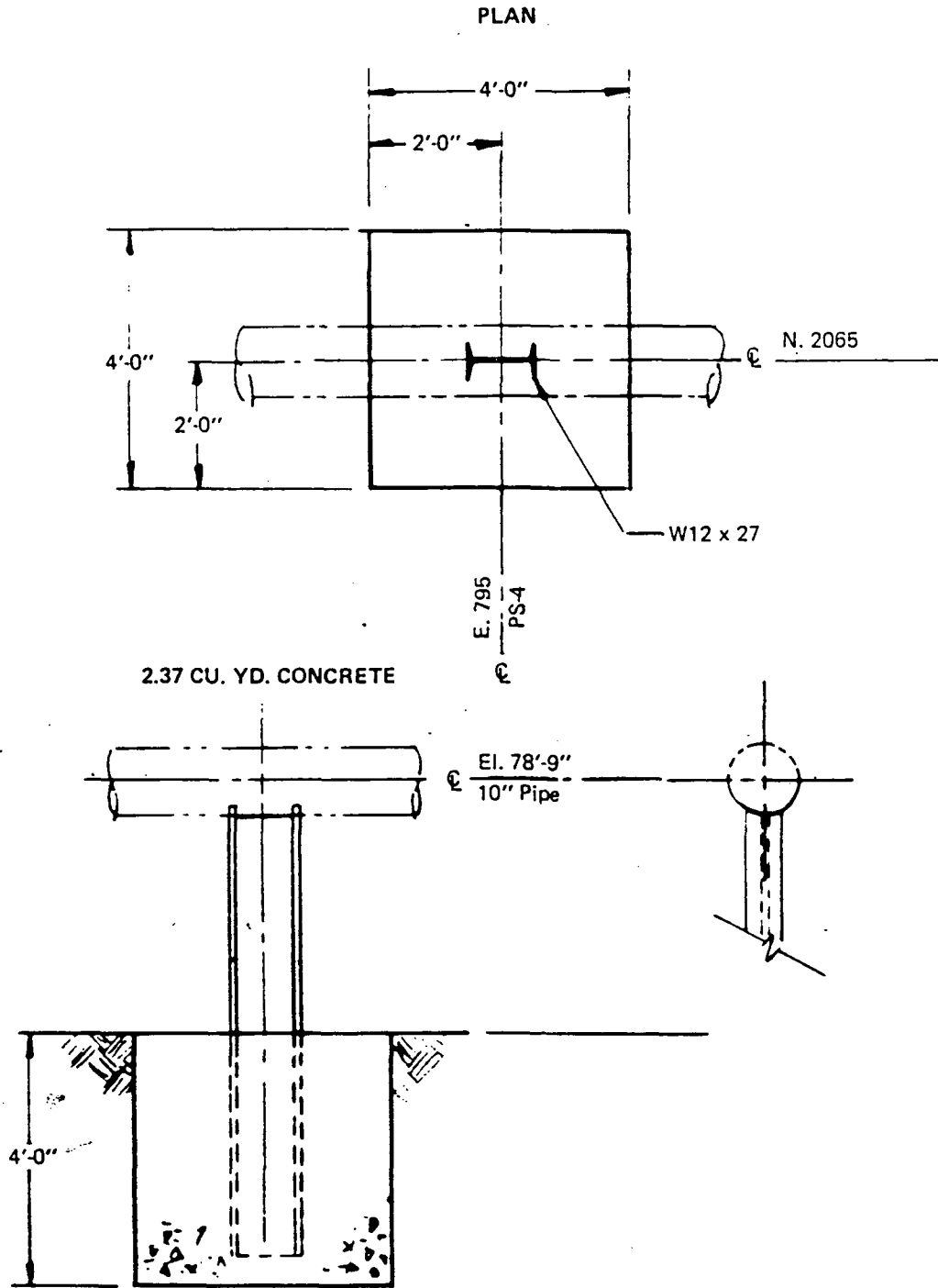


FIGURE 1: TEST FACILITY STATE 2-14
11.2



PRELIMINARY DATA



4
Figure 3-8 Thrust Block

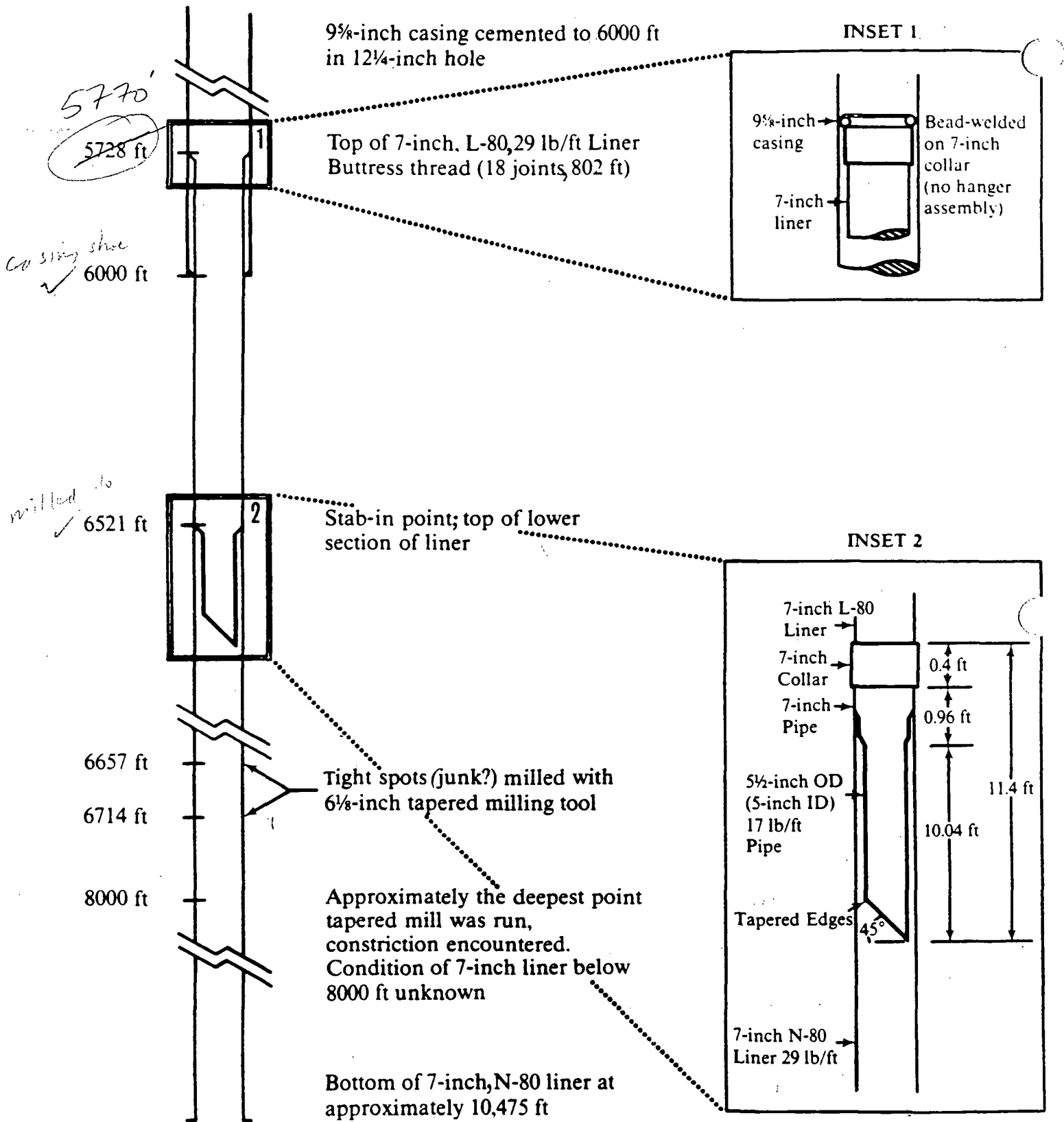


Figure 4-3 Schematic of Wellbore Configuration After August 1986 Repairs
5 (Figure Courtesy of R.H. Wallace, Jr.)

SALTON SEA SCIENTIFIC DRILLING PROGRAM MANAGEMENT PLAN

SALTON SEA GEOTHERMAL DRILLING & ENGINEERING PROGRAM

SALTON SEA SCIENTIFIC EXPERIMENTS PROGRAM

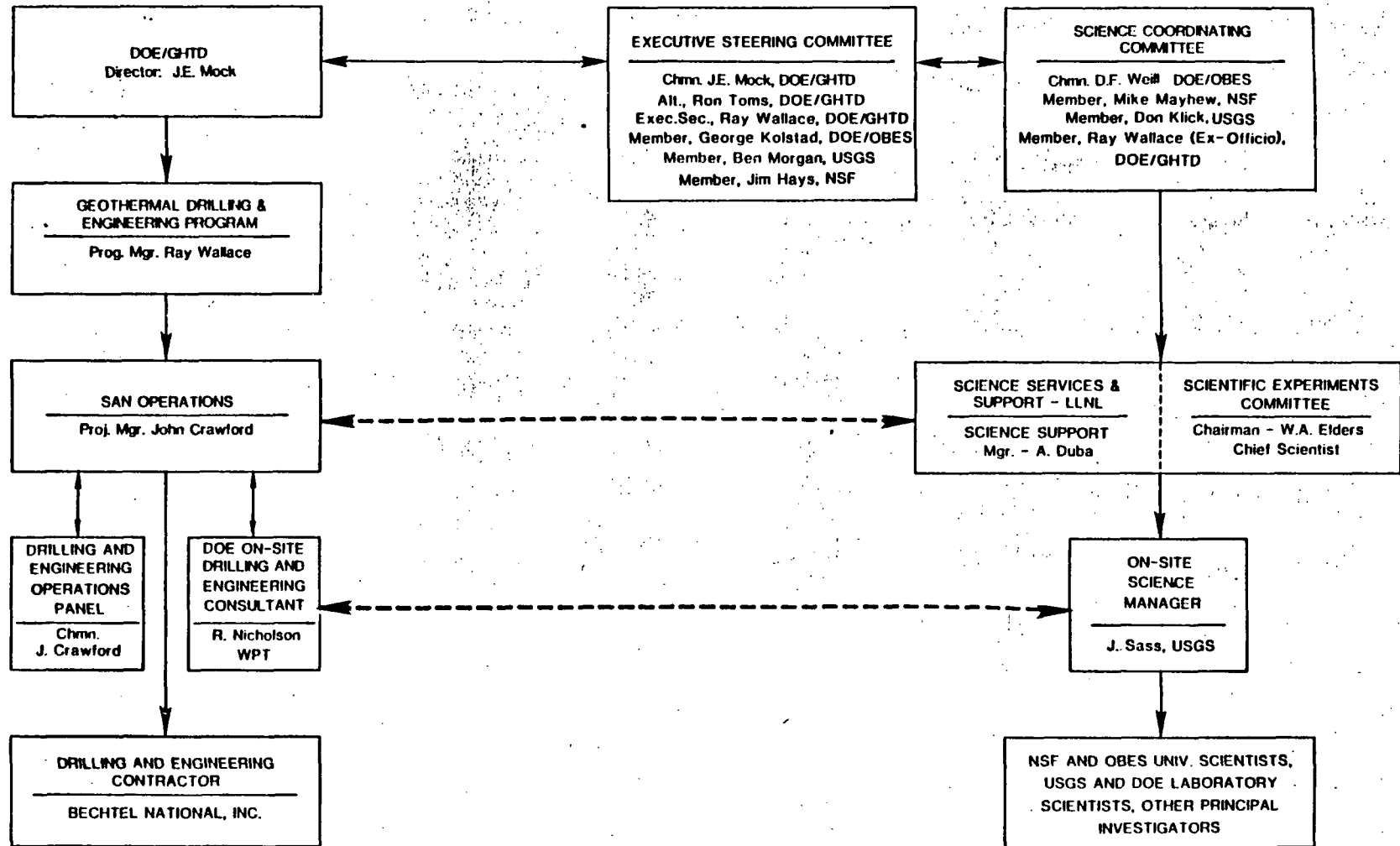


Figure 1

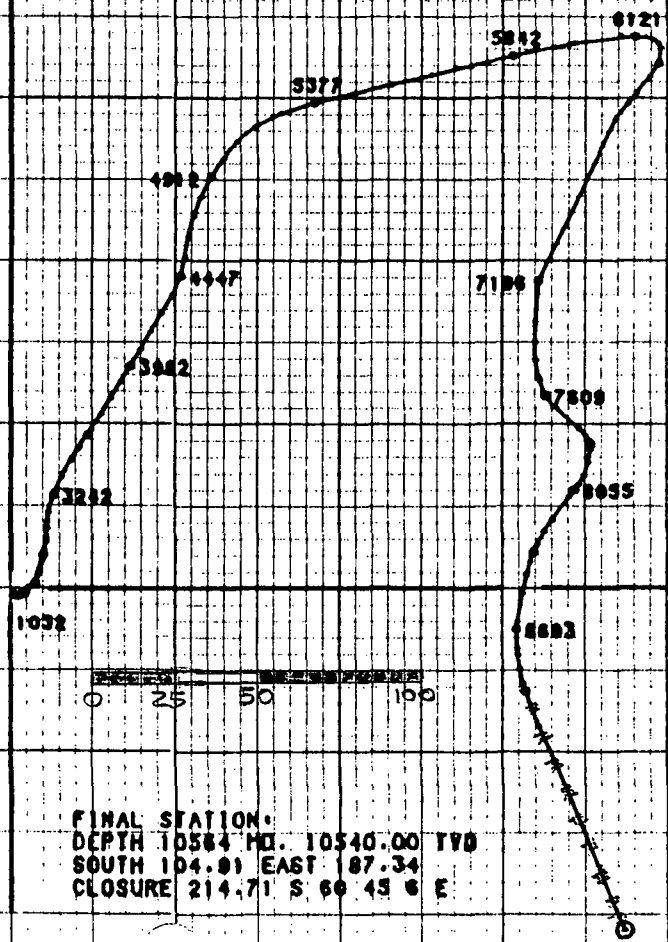
DATA FILE: 5724

BECHTEL FILE: 5724
WELL: STATE 2-14
LOCATION: MILANO, CA.

HORIZONTAL PROJECTION

SCALE 1 IN. = 50 FEET
DEPTH INDICATOR: MD

EASTMAN WHIPSTOCK, INC.



FINAL STATION:
DEPTH 10584 MD. 10540.00 TVD
SOUTH 104.81 EAST 187.34
CLOSURE 214.71 S 60 45 6 E