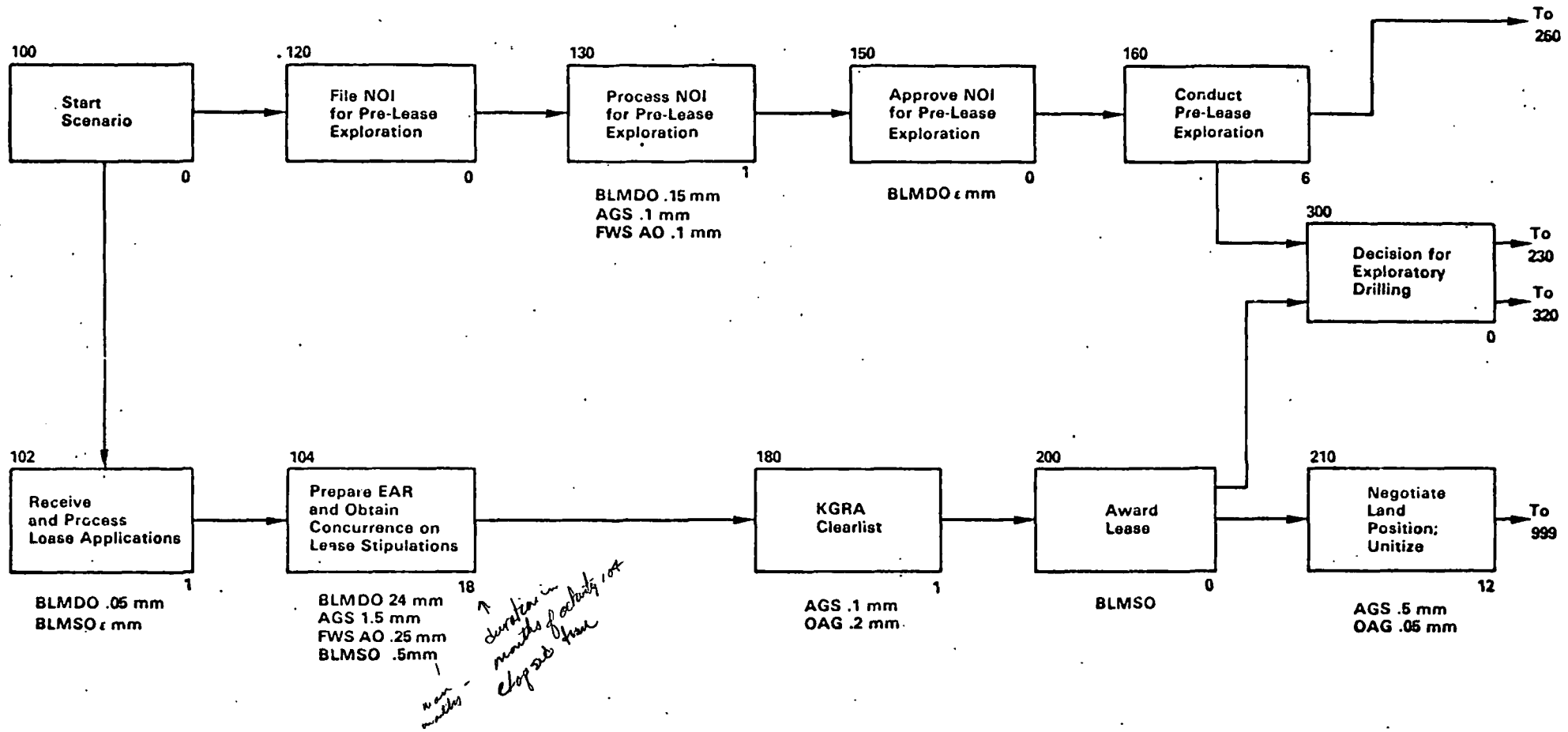
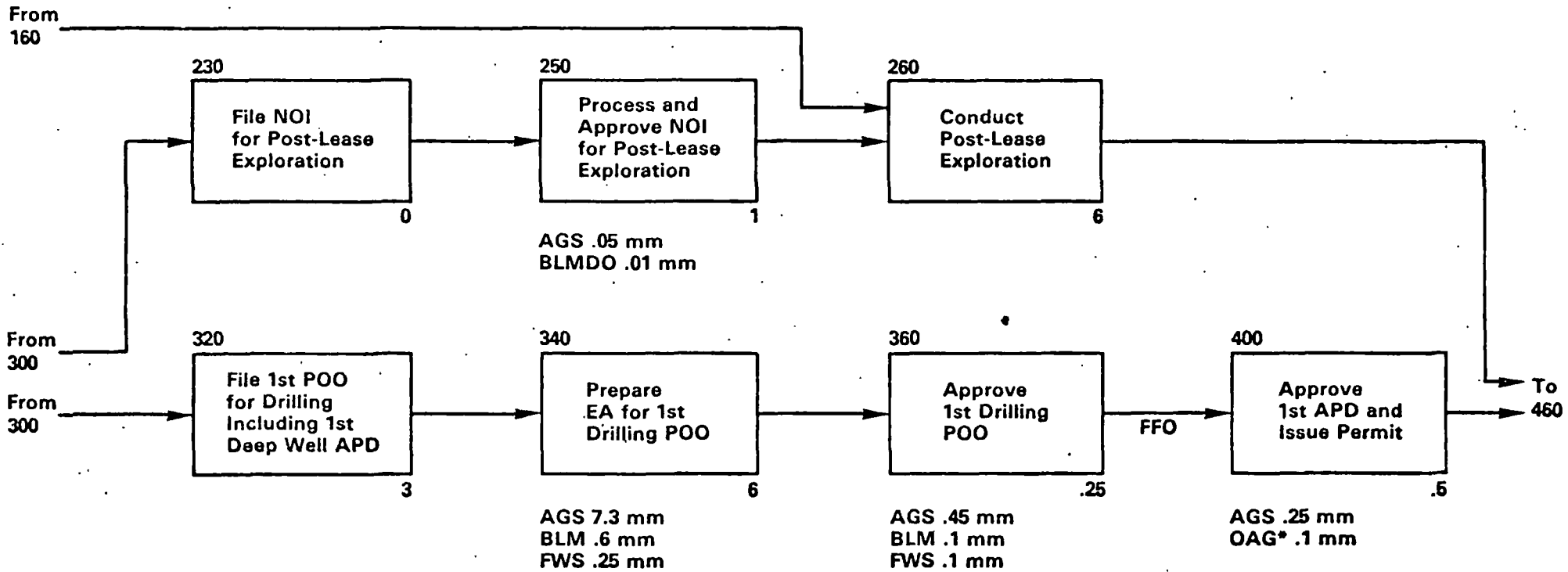


*Coastal*  
 File under "Leasing"  
 62013916

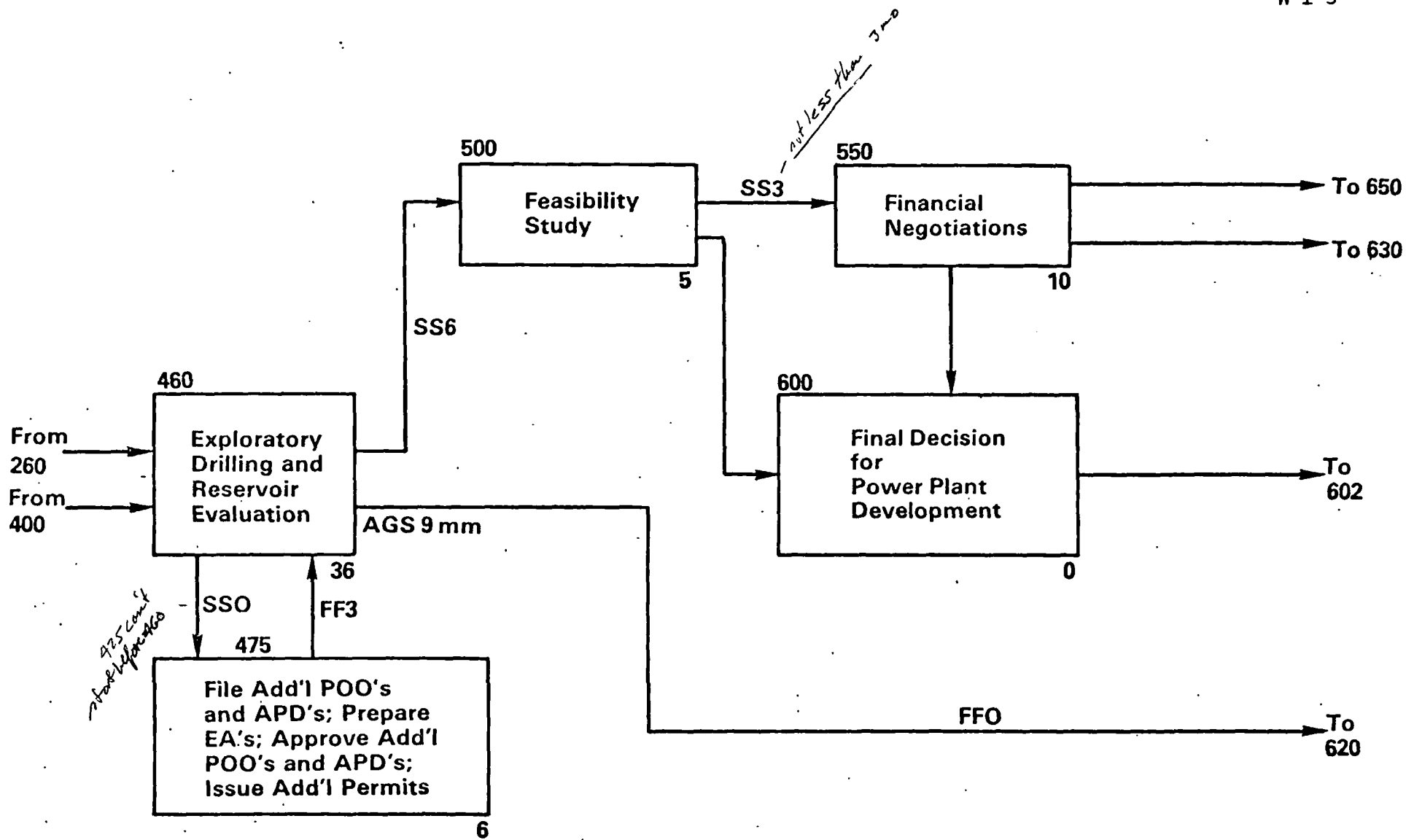
WRIGHT  
 Earth Science Lab.  
 W-1-1  
 1. Review these networks for accuracy and content  
 2. give results to me.

W-1 Initial Development/Non-Competitive Leasing/BLM Lands

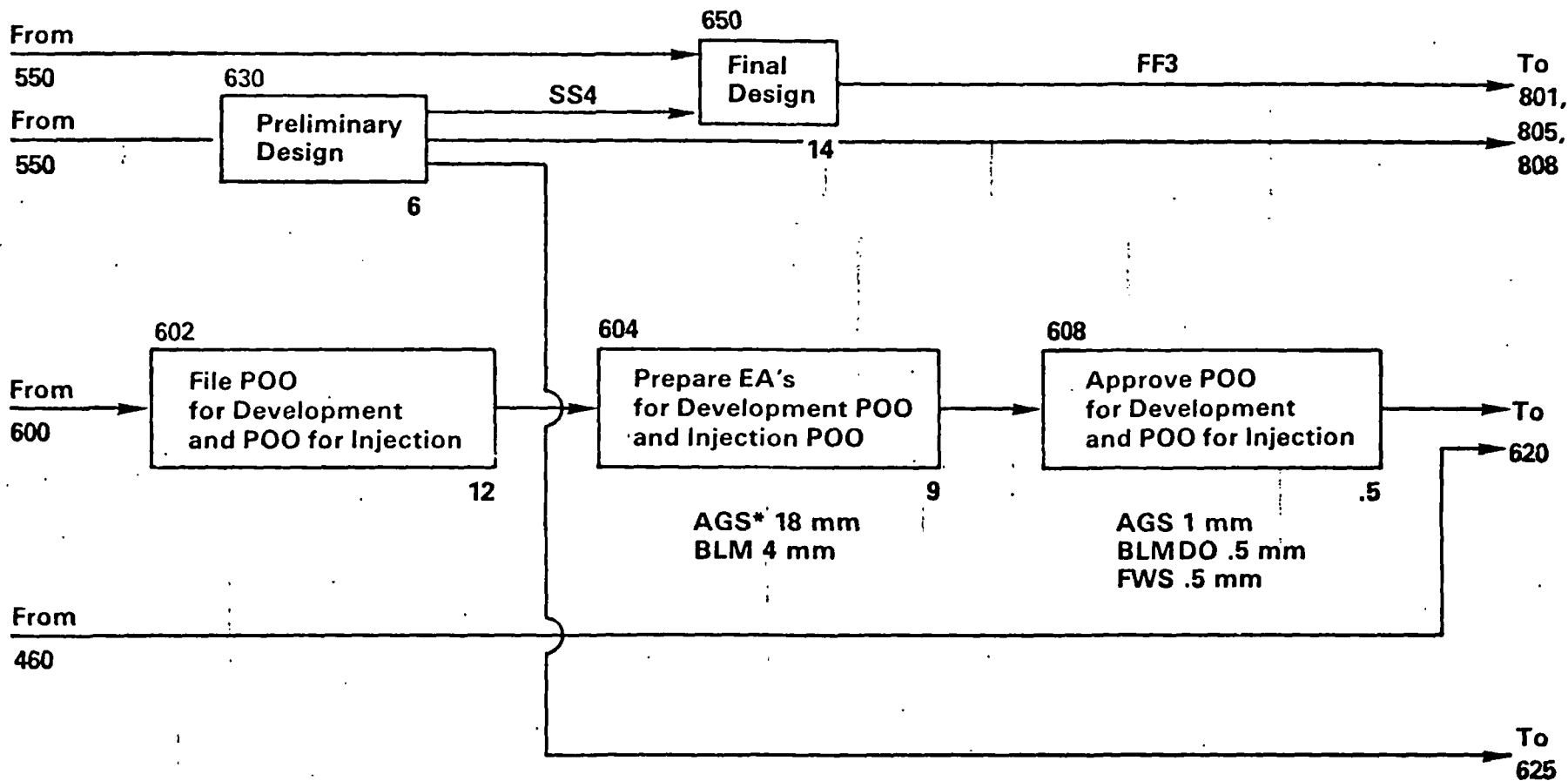




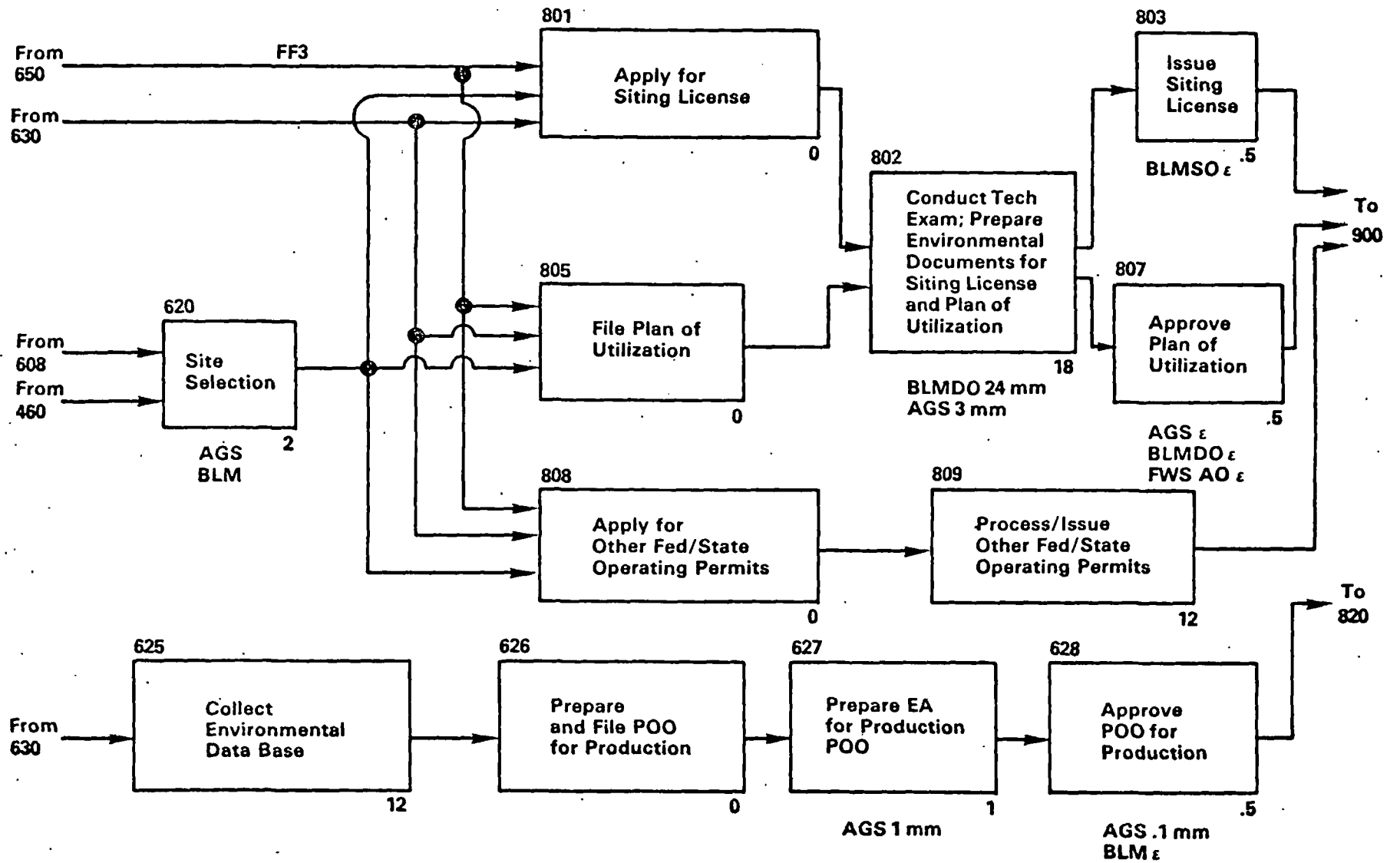
\*Pacific Region Only

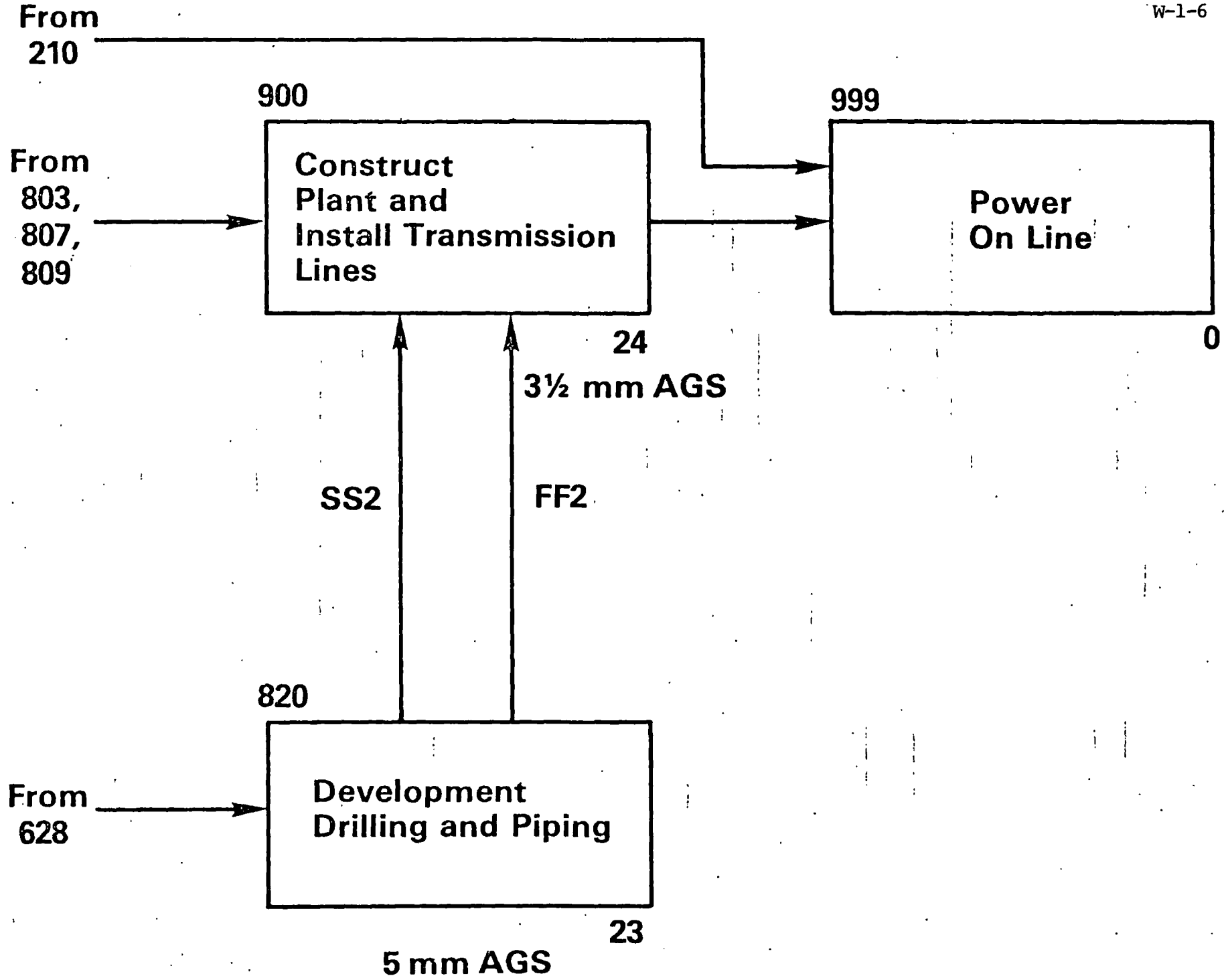


AGS 41 mm  
BLM 3.5 mm  
OAG .7 mm  
FWS 1.6 mm

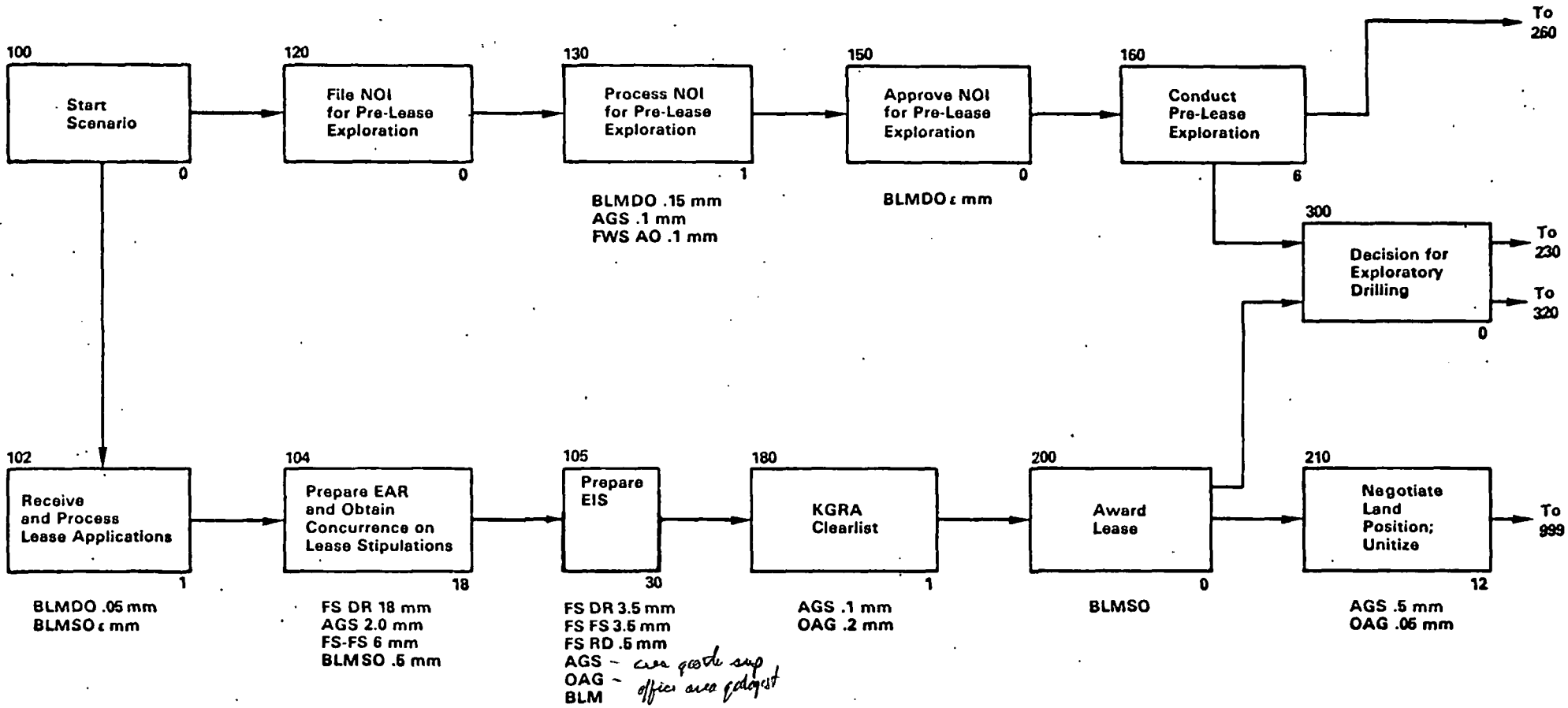


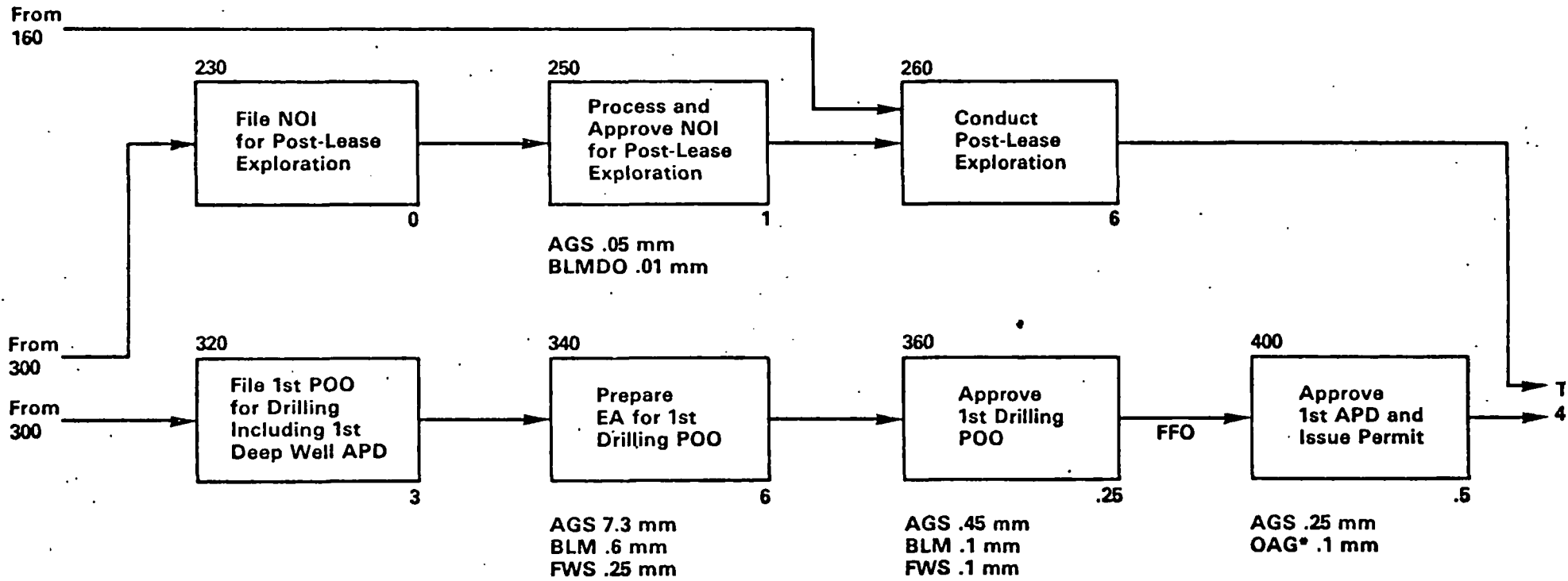
\*Or BLM, Depending on Size





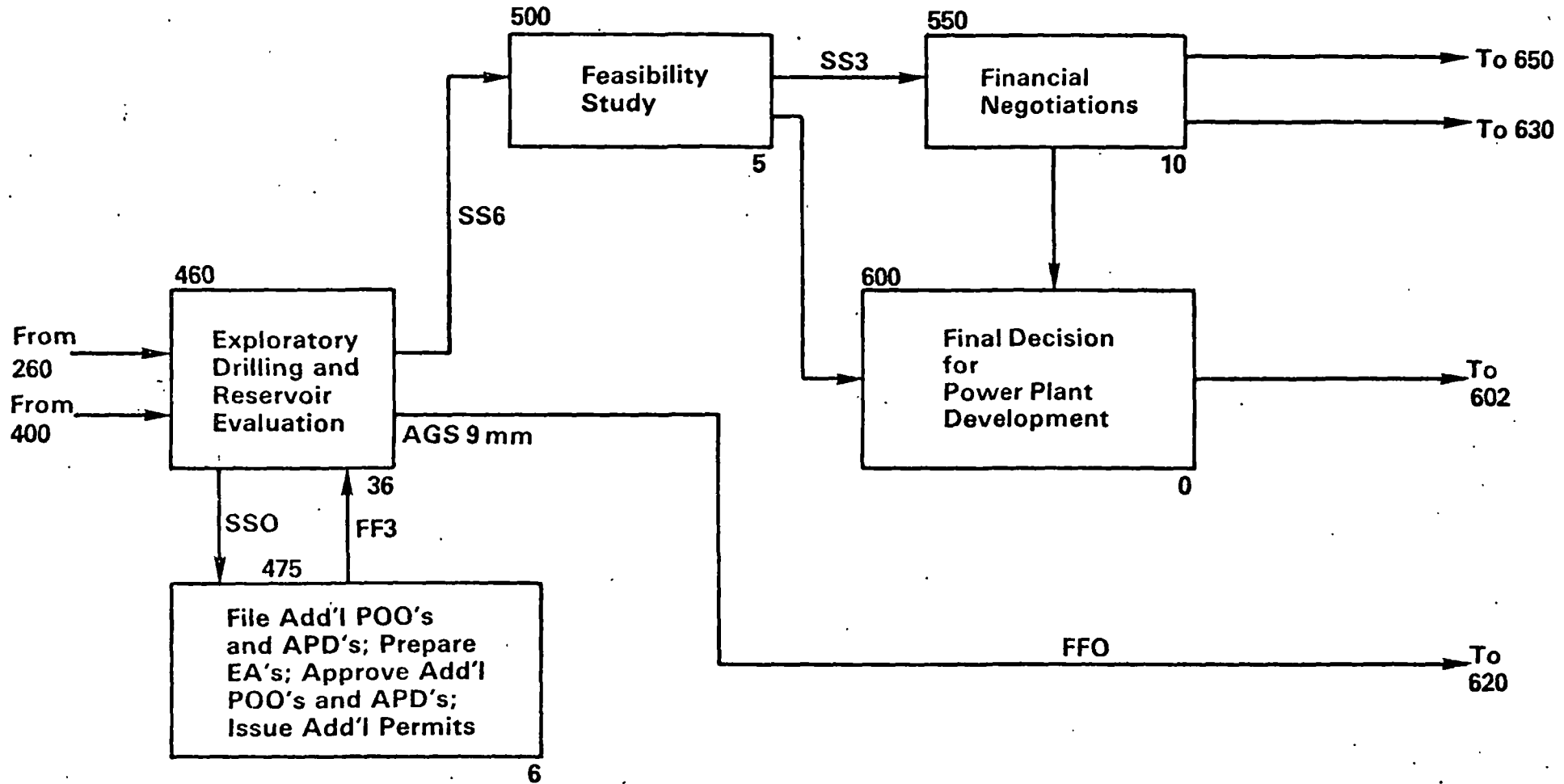
### W-2 Initial Development/Non-Competitive Leasing/FS Lands



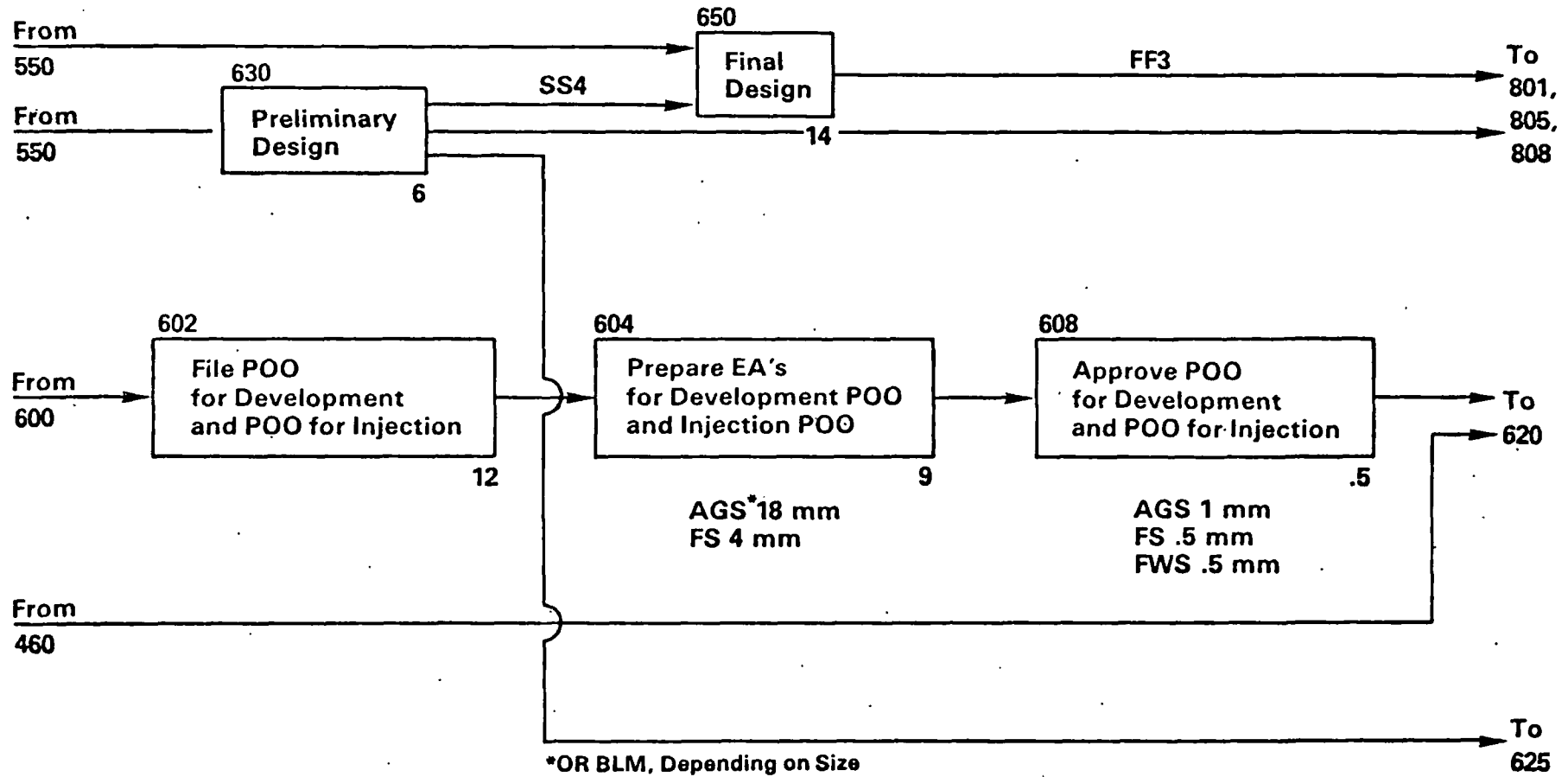


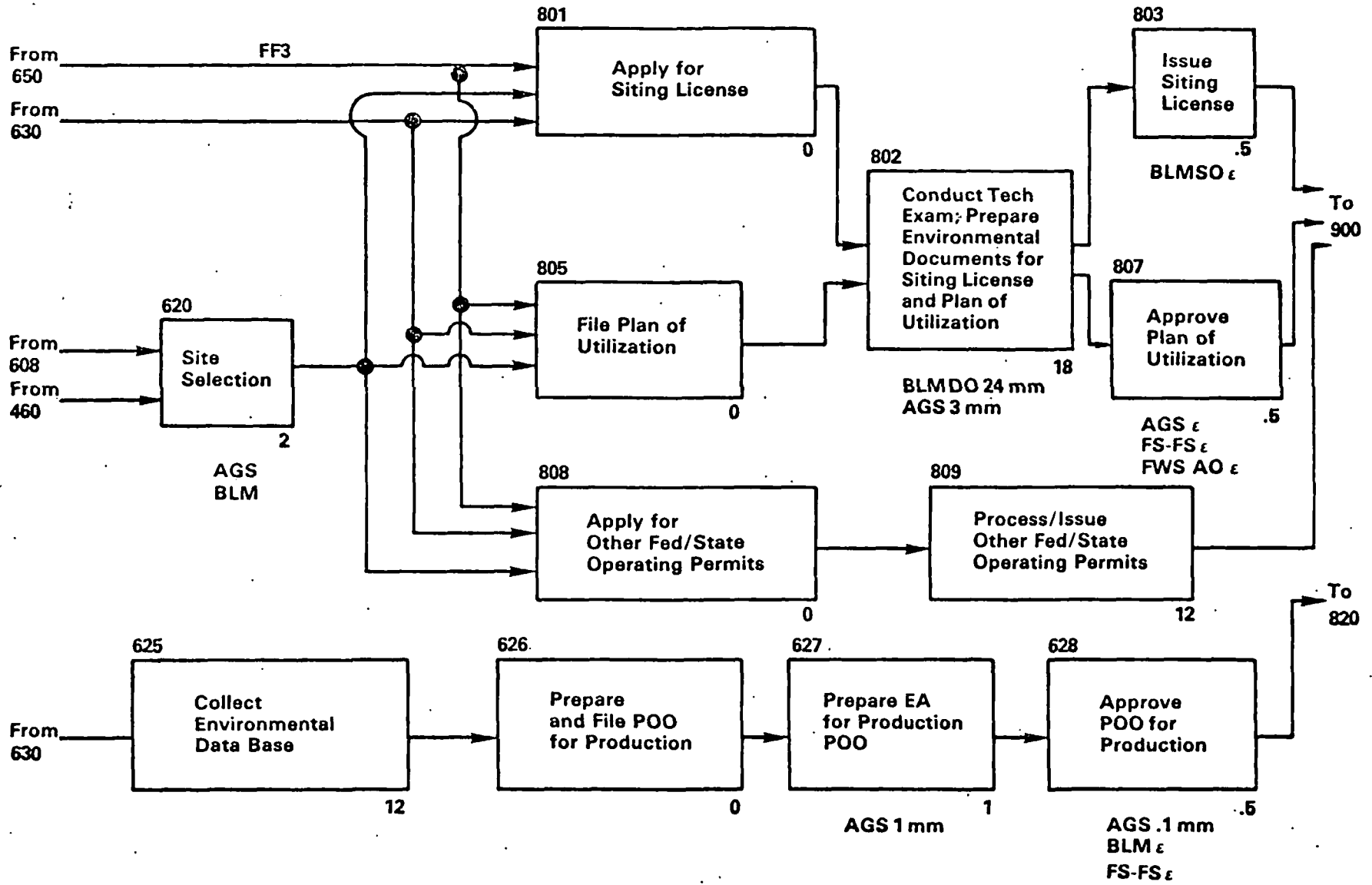
\*Pacific Region Only

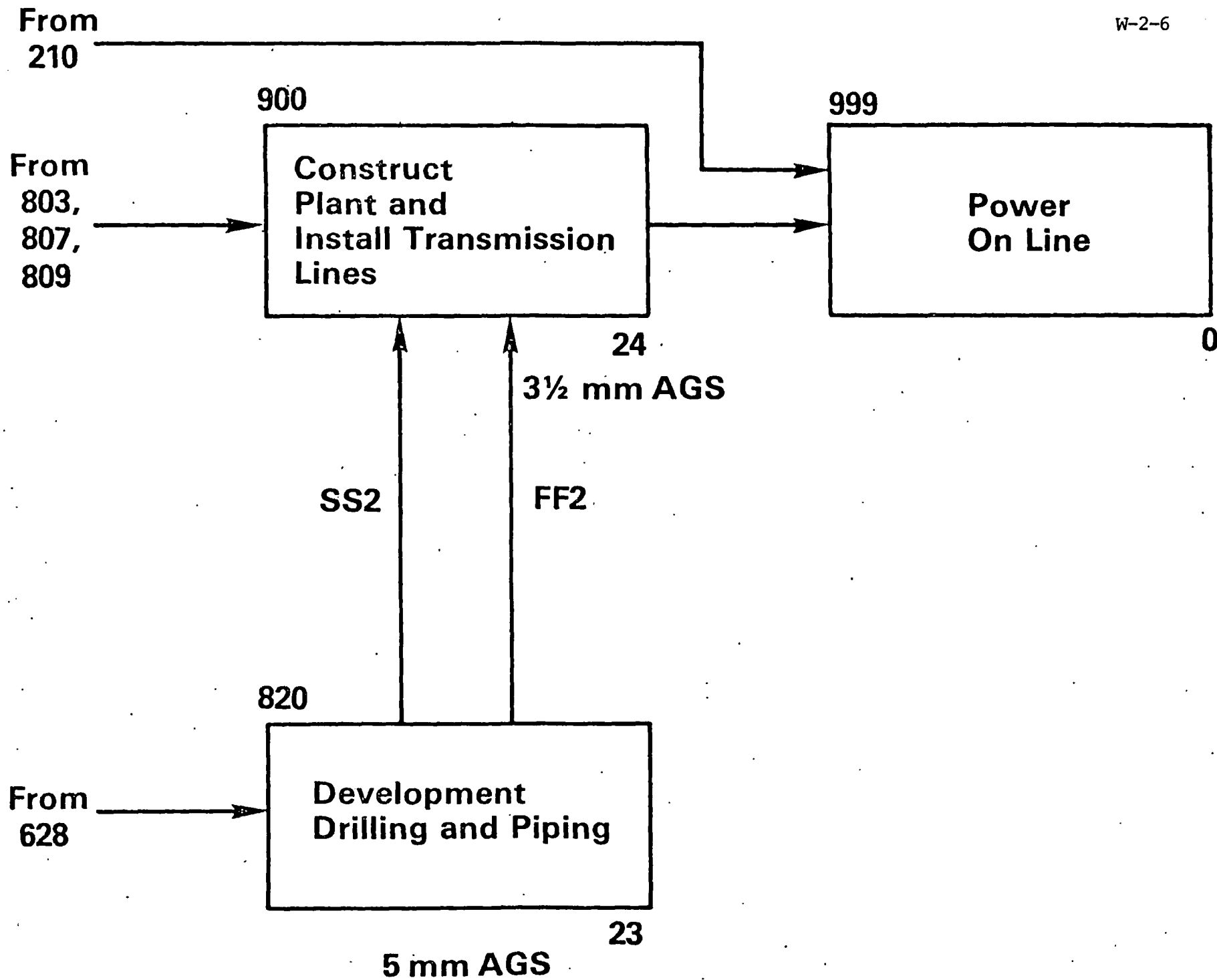




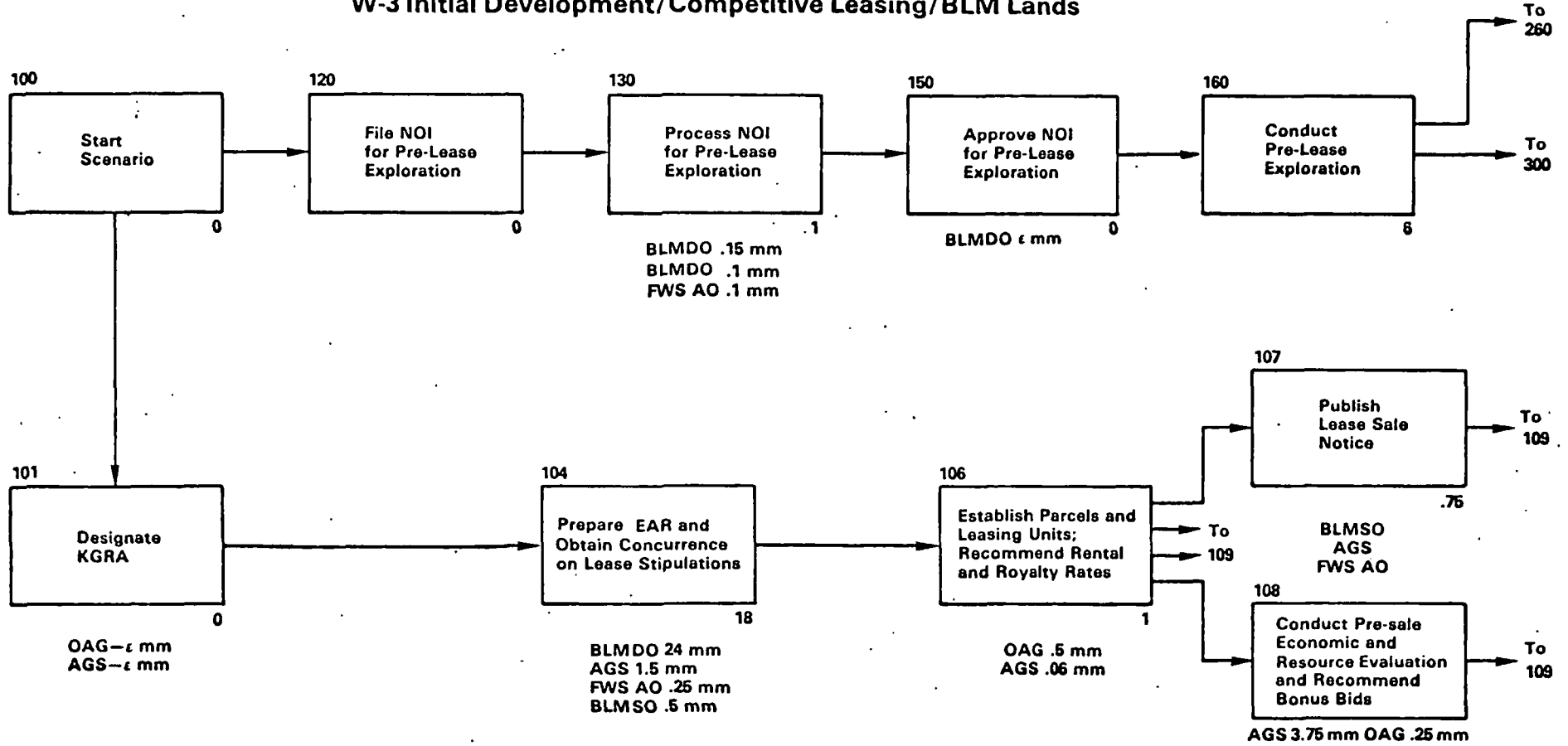
AGS 41 mm  
BLM 3.5 mm  
OAG .7 mm  
FWS 1.6 mm

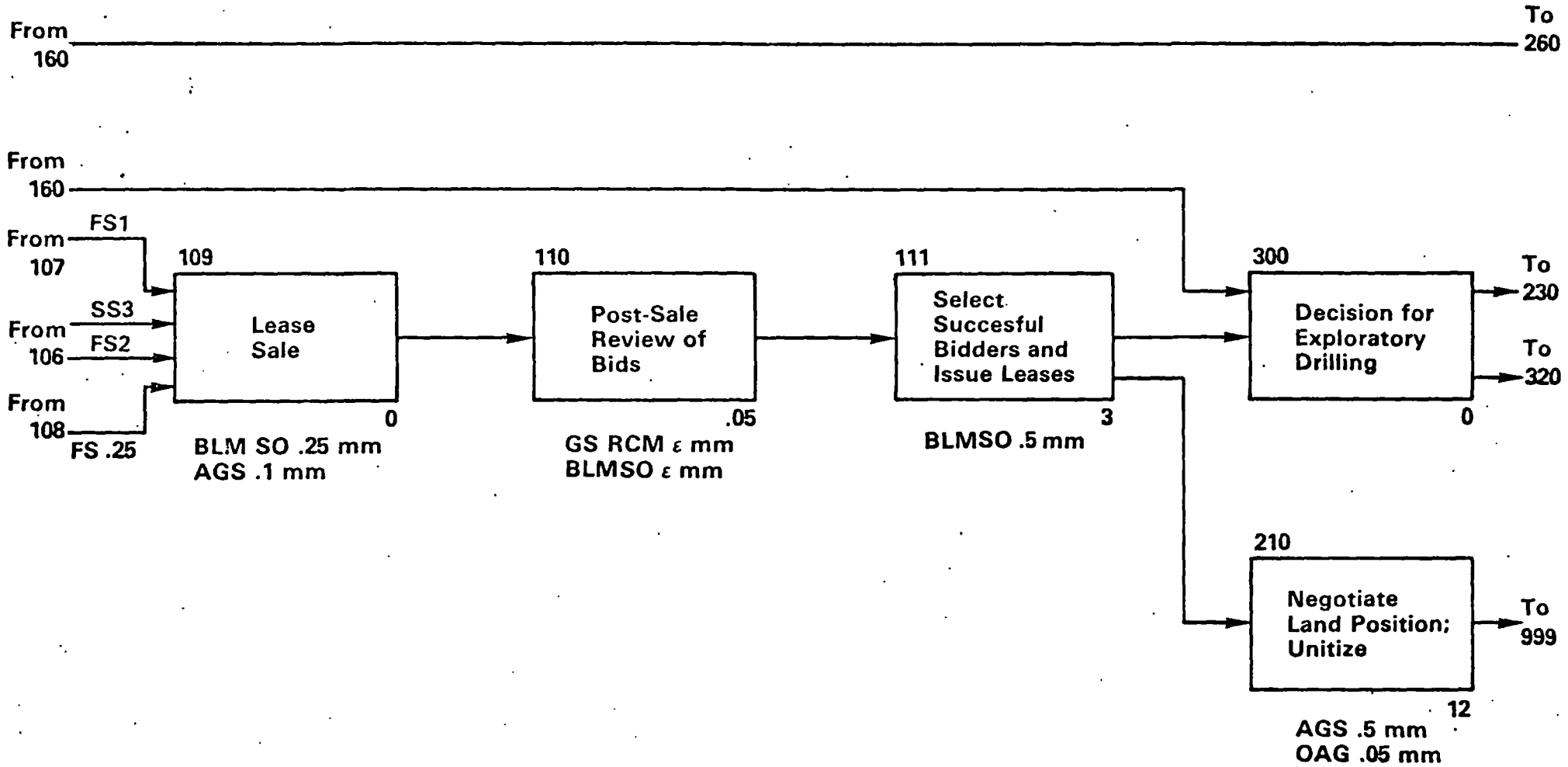


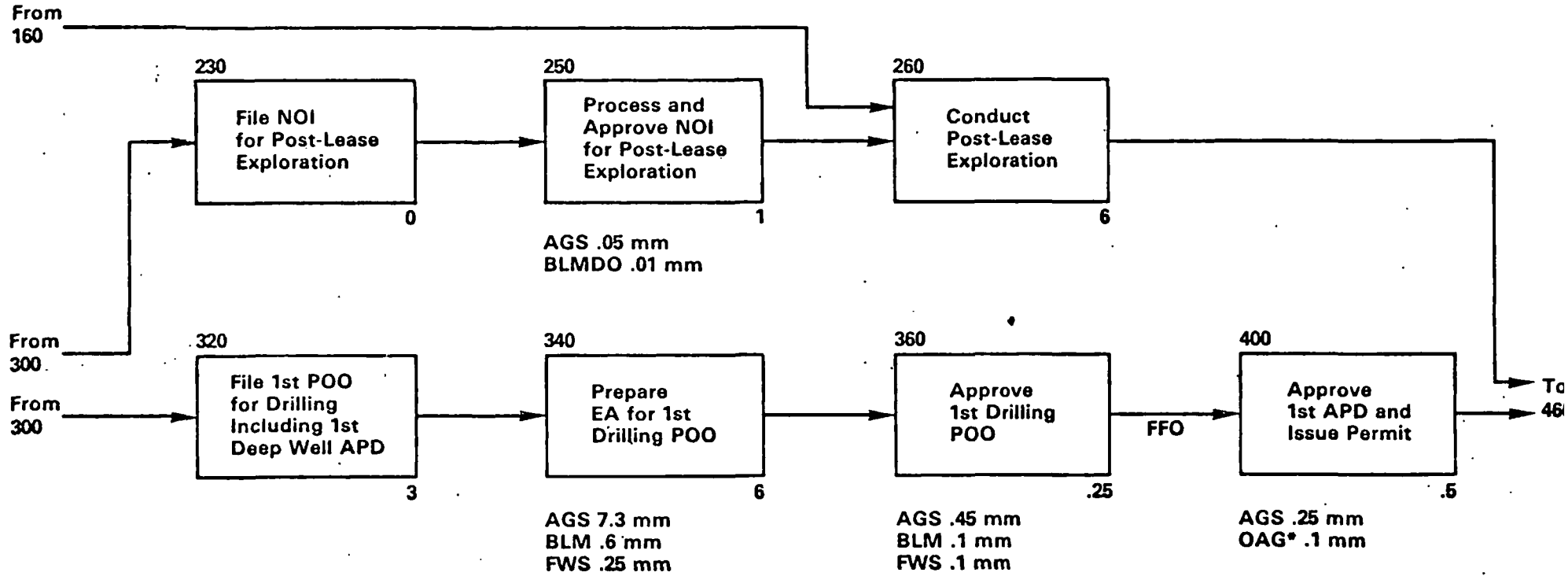




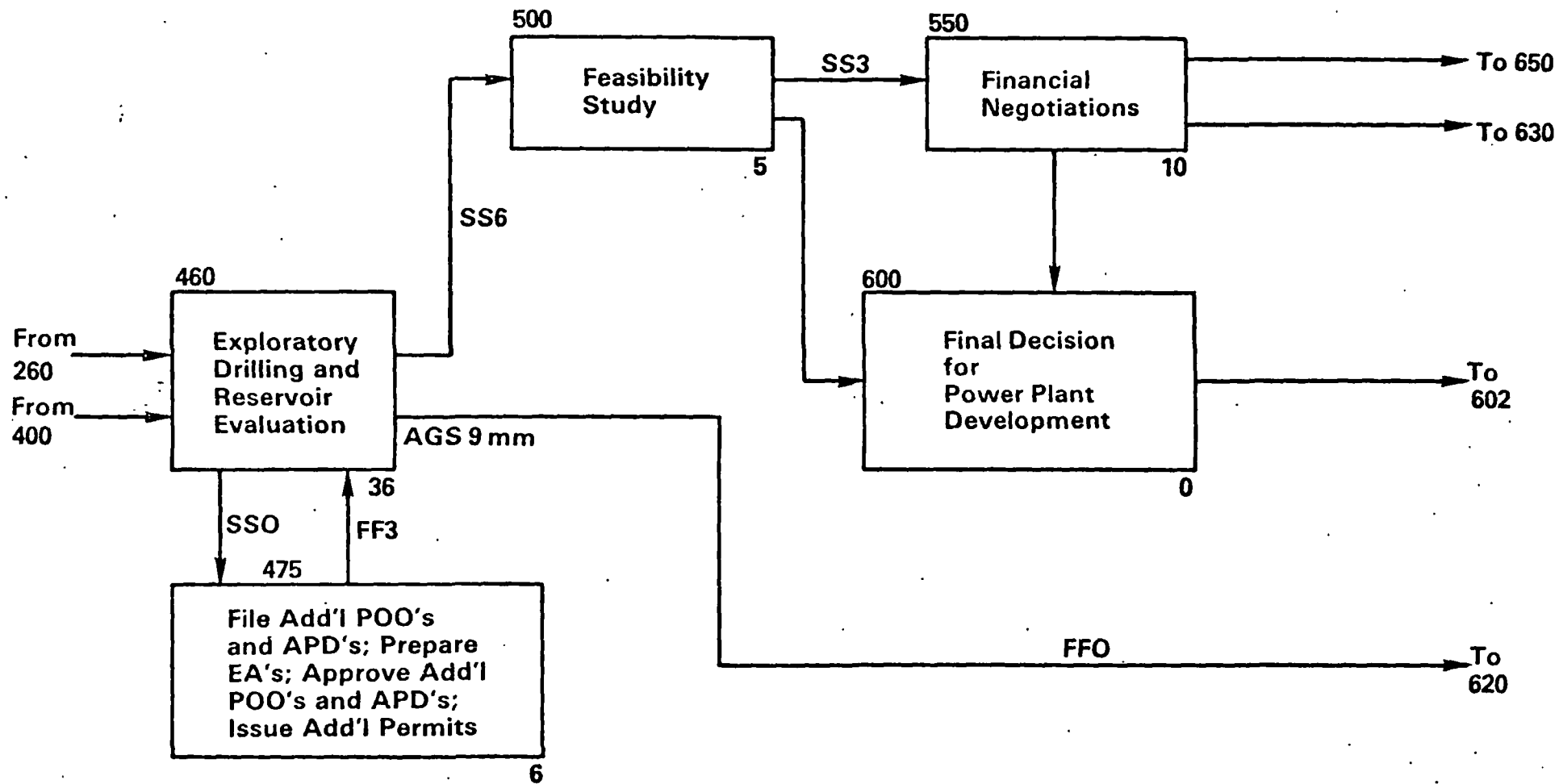
### W-3 Initial Development/Competitive Leasing/BLM Lands





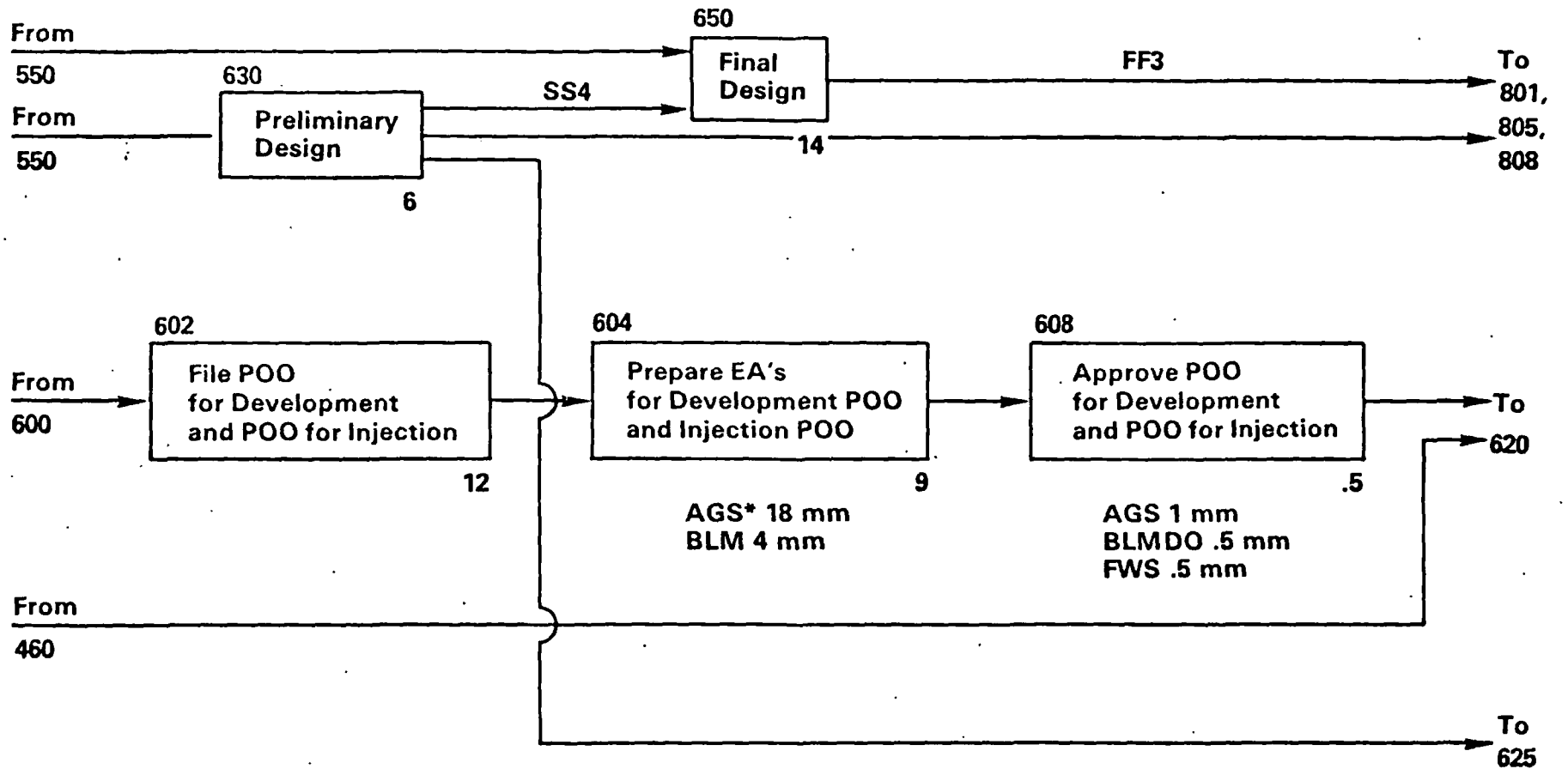


\*Pacific Region Only

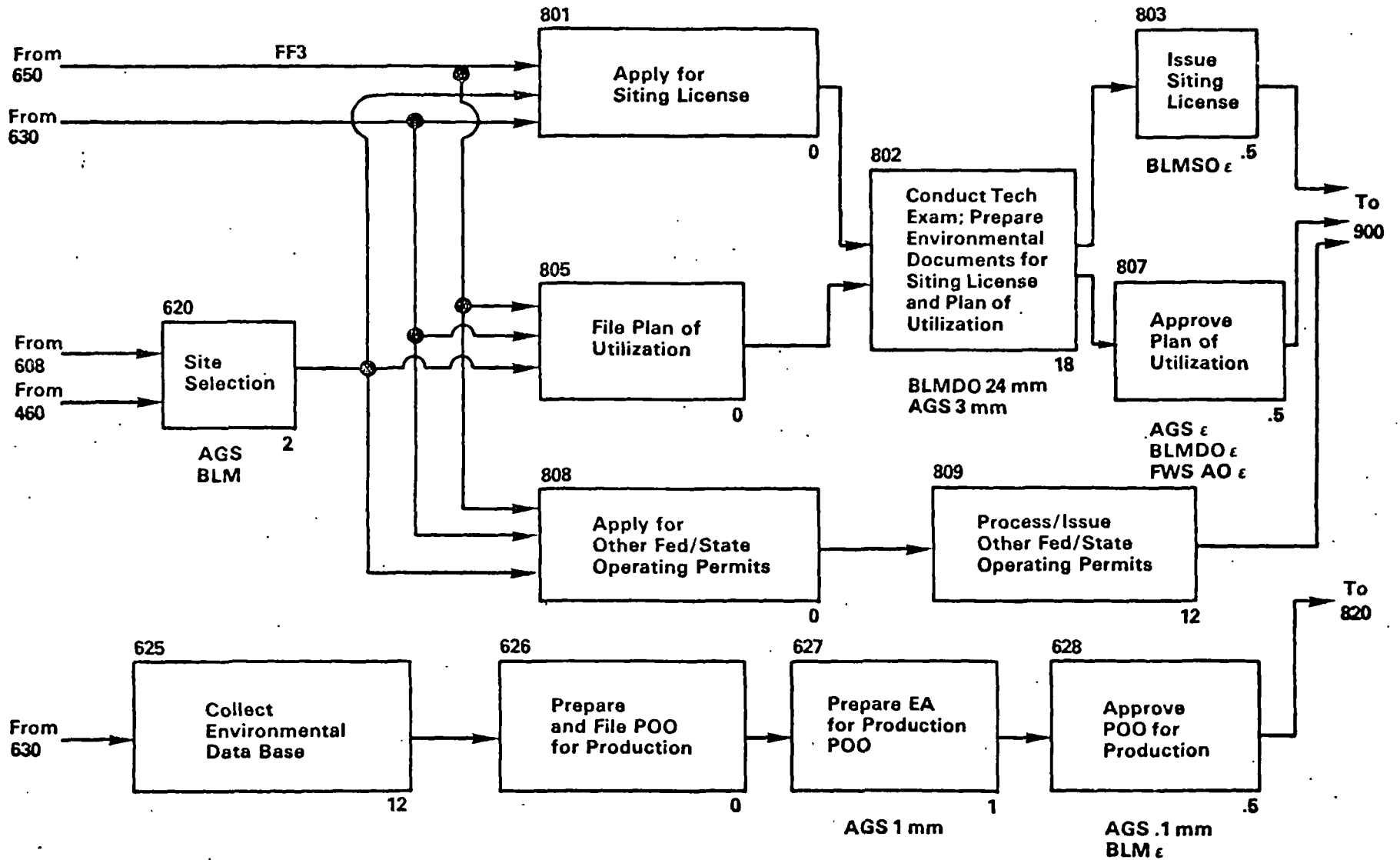


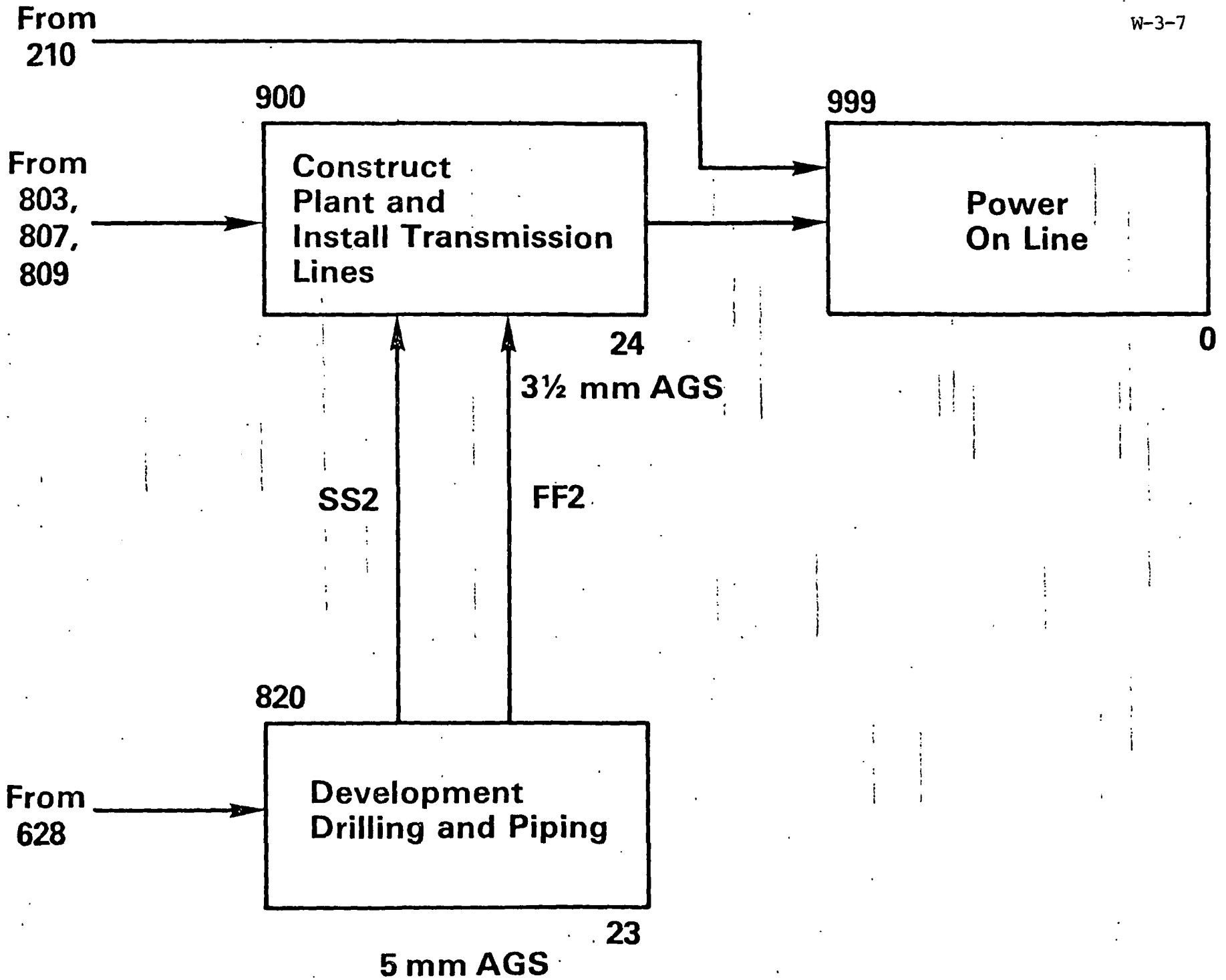
AGS .41 mm  
 BLM 3.5 mm  
 OAG .7 mm  
 FWS 1.6 mm



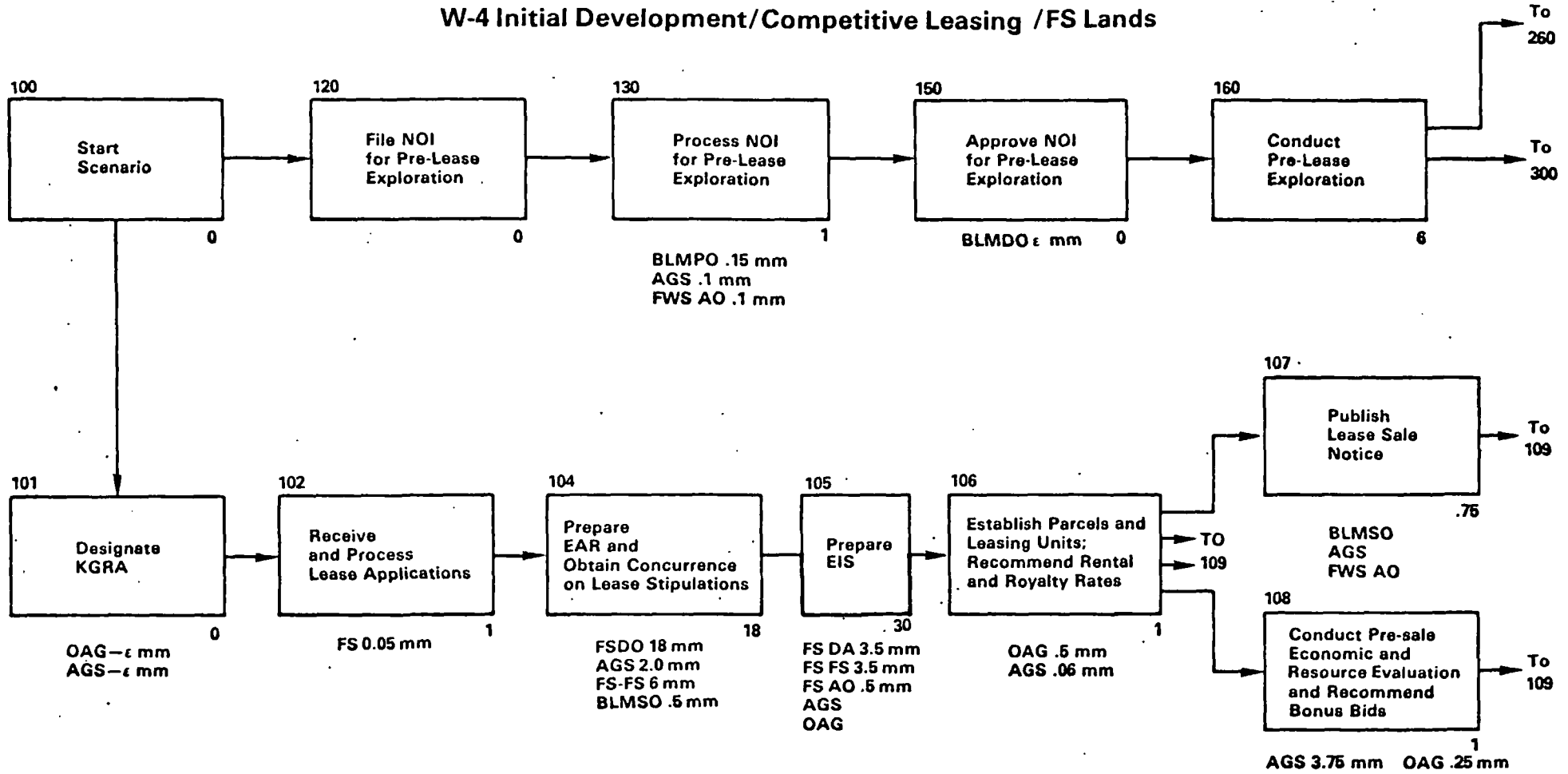


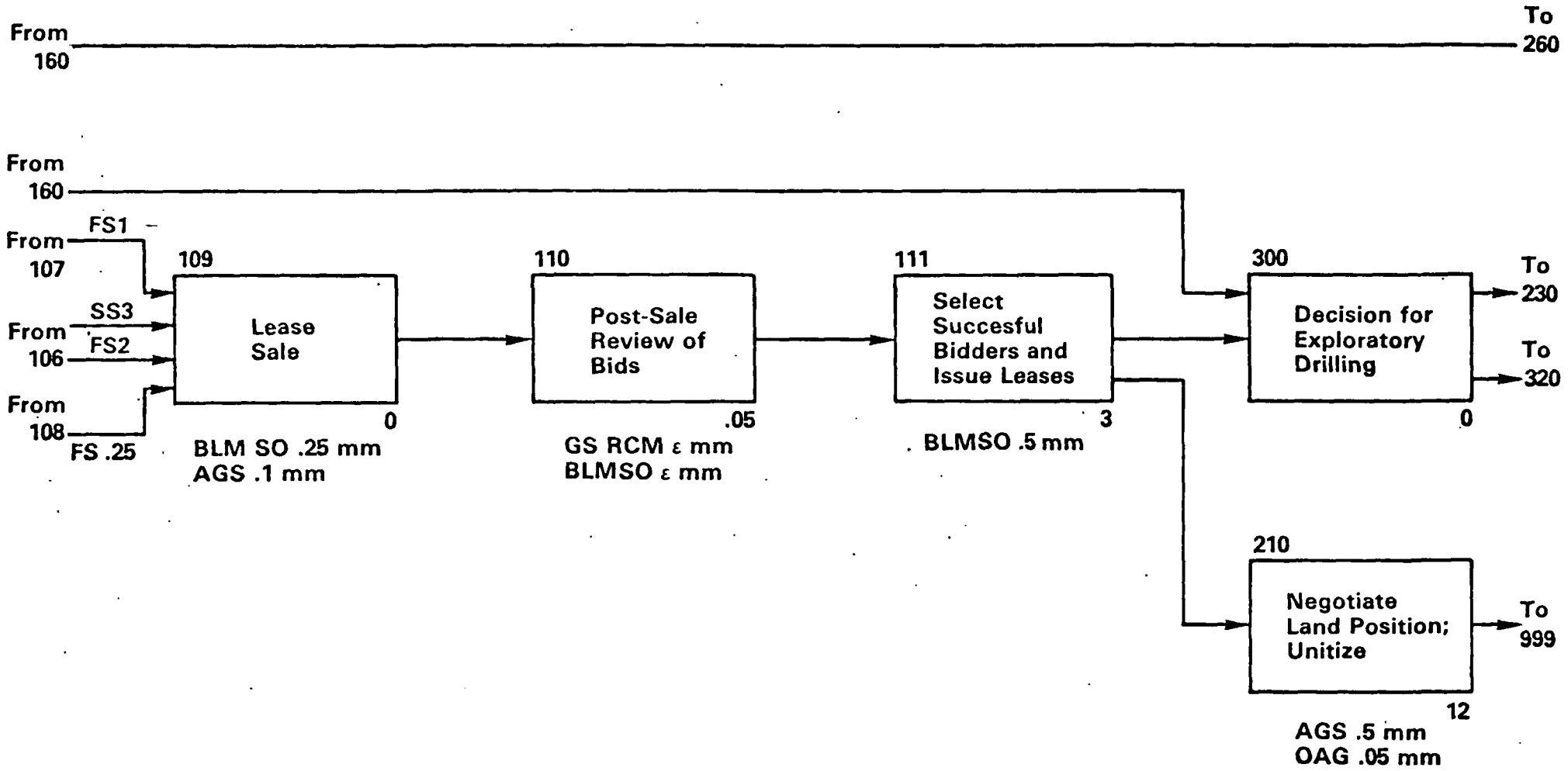
\*Or BLM, Depending on Size

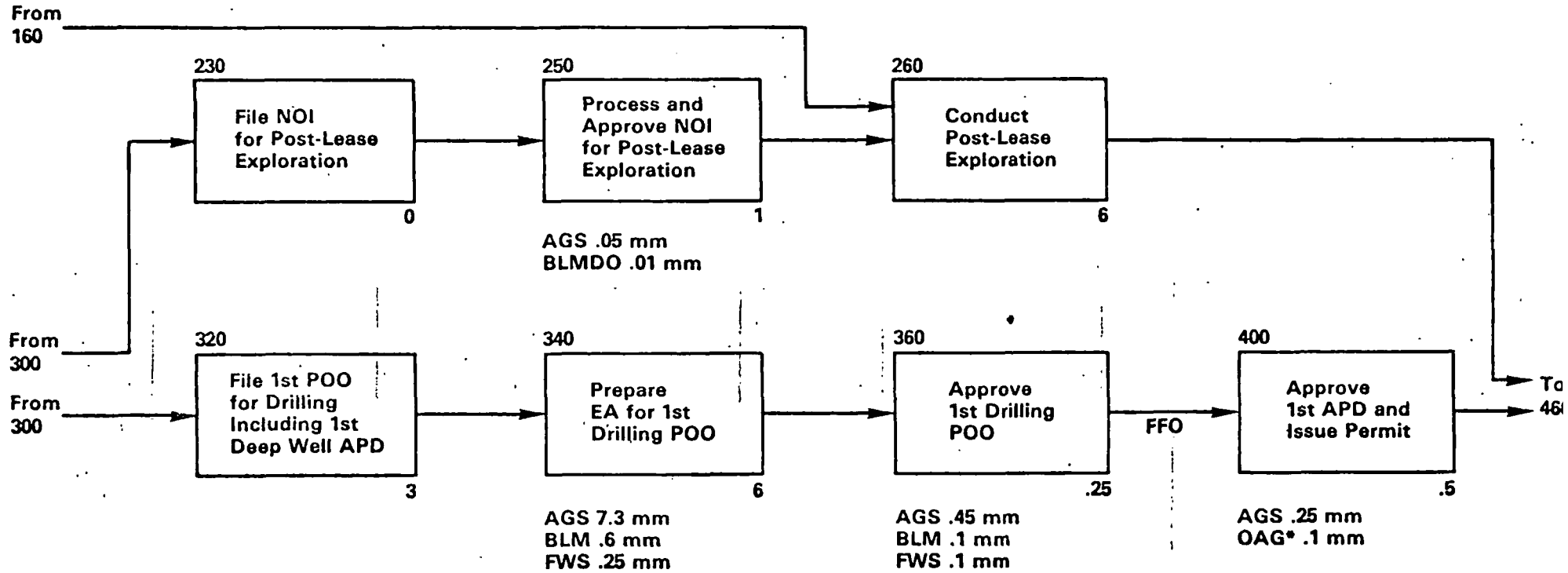




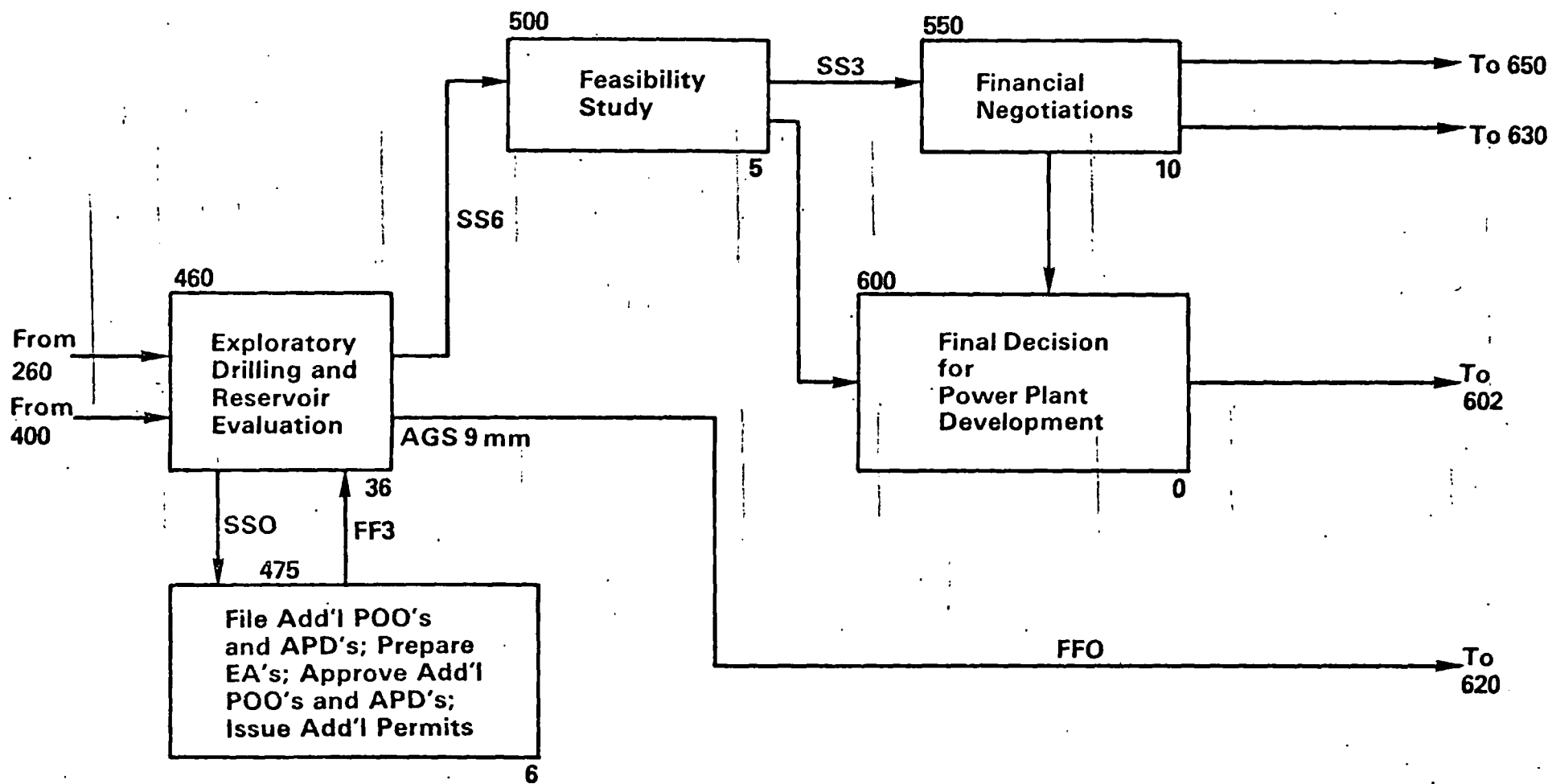
### W-4 Initial Development/Competitive Leasing /FS Lands



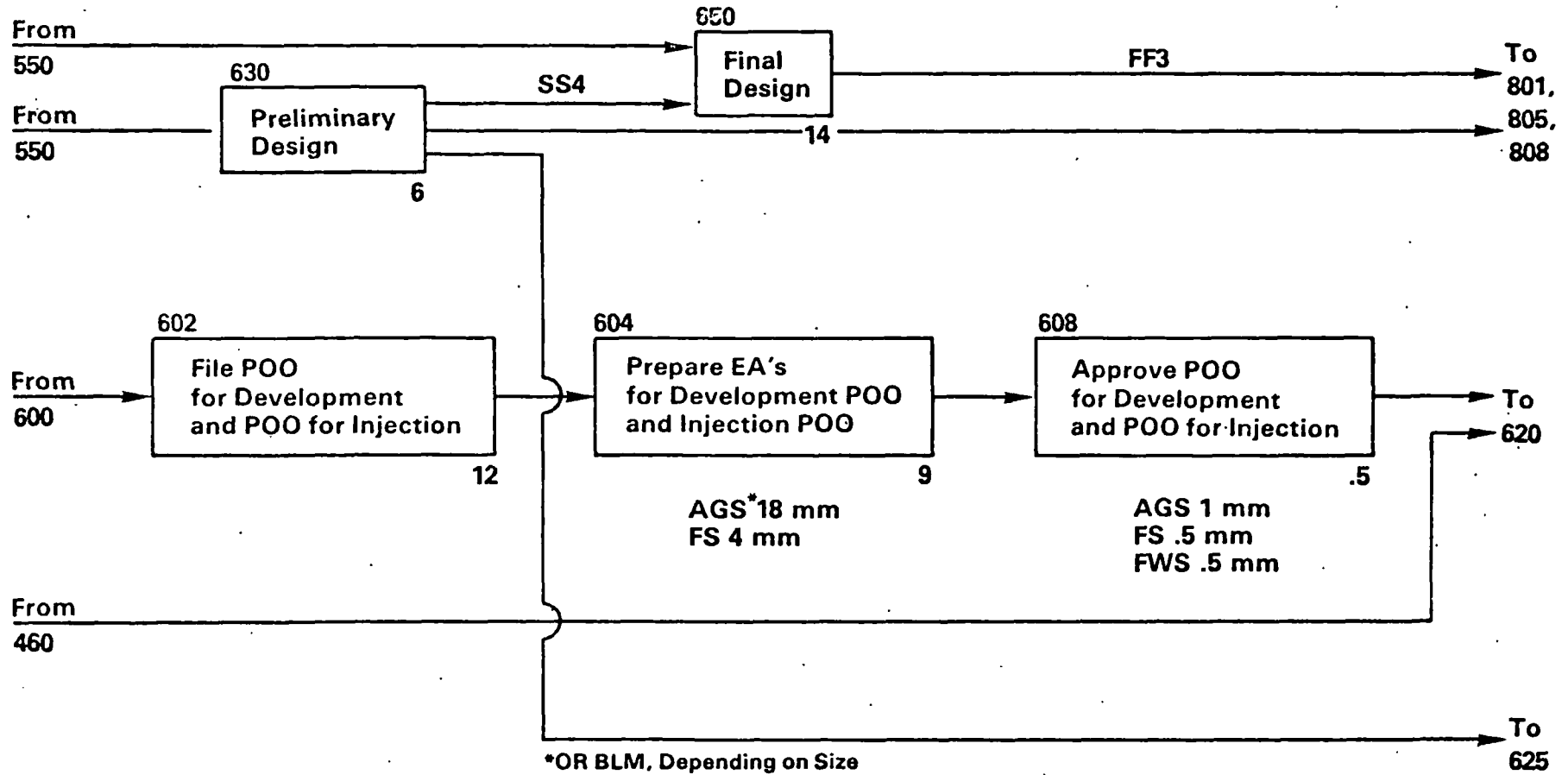




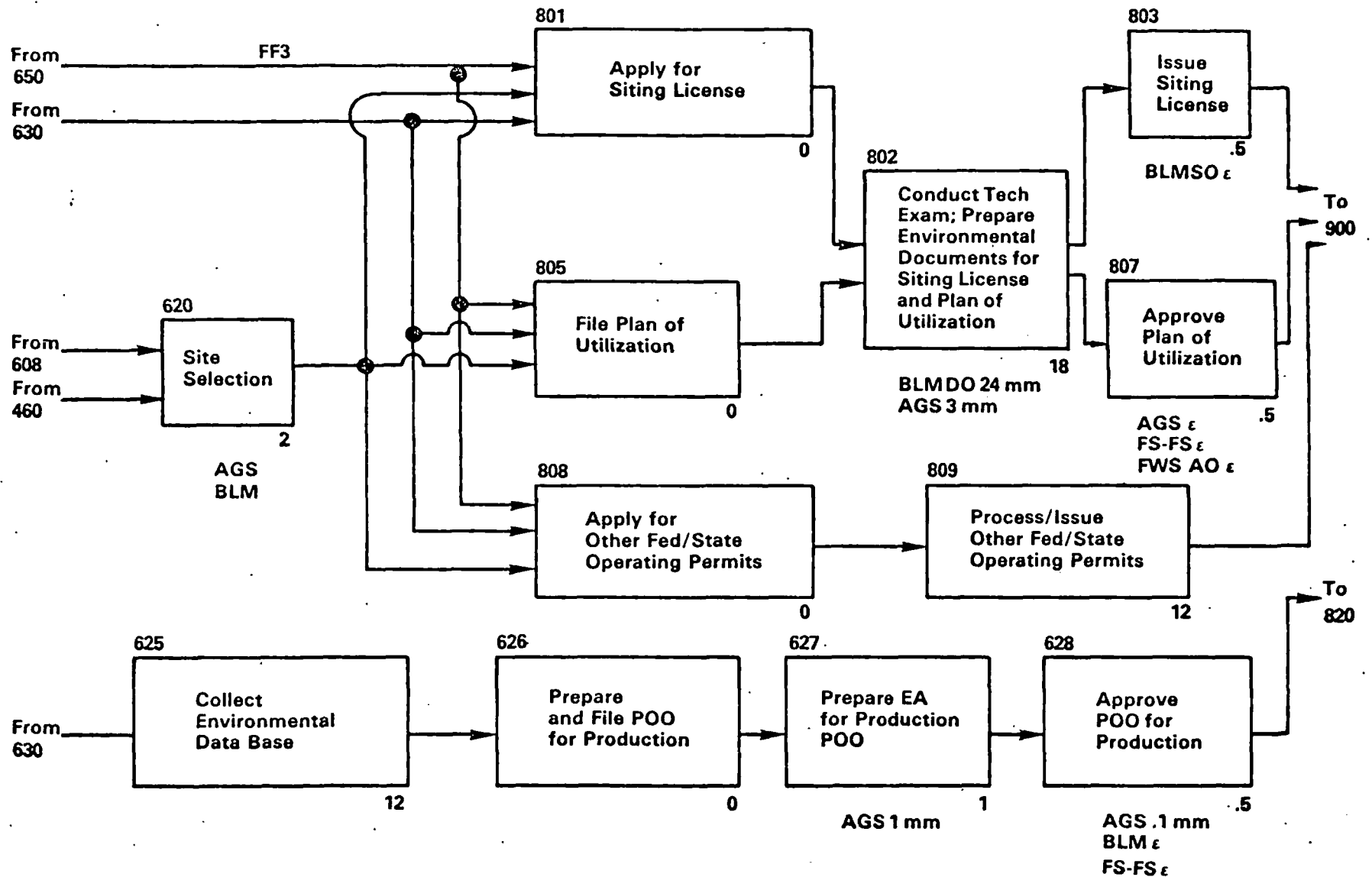
\*Pacific Region Only

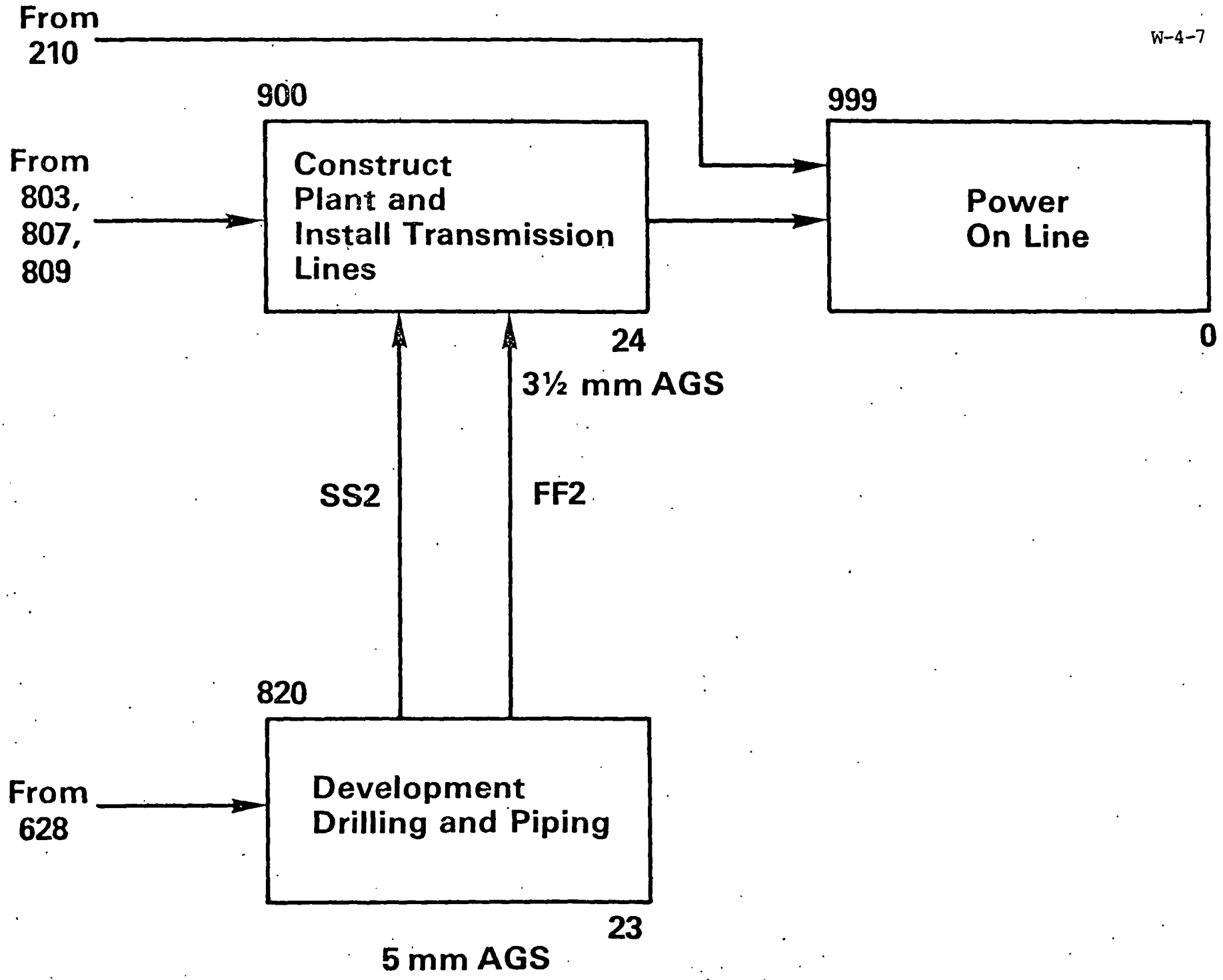


AGS .41 mm  
 BLM 3.5 mm  
 OAG .7 mm  
 FWS 1.6 mm

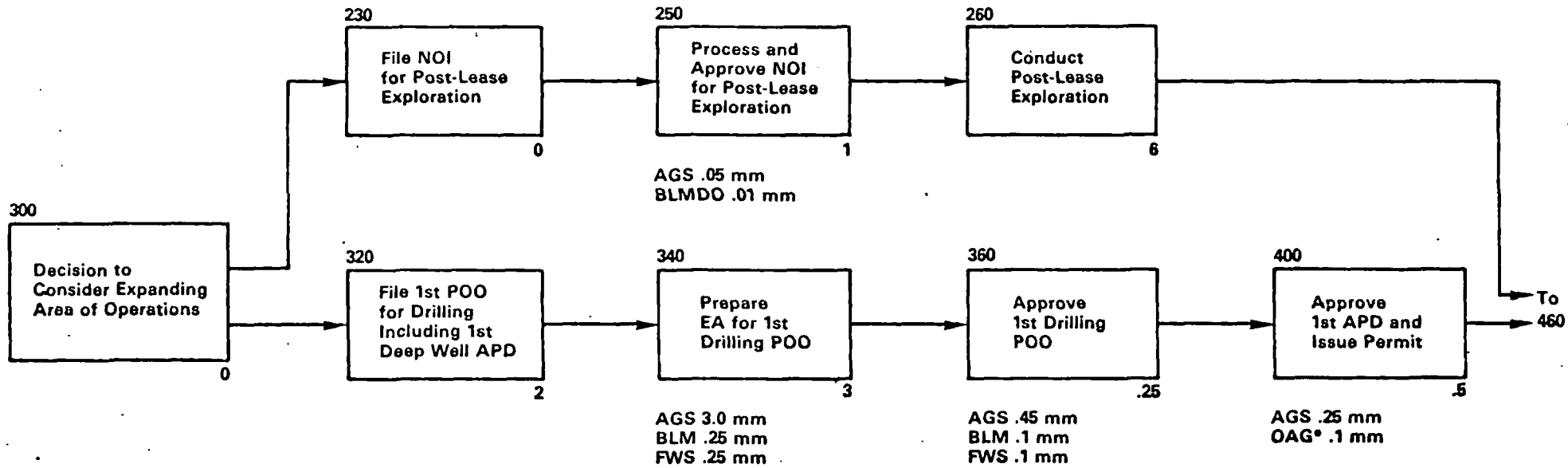




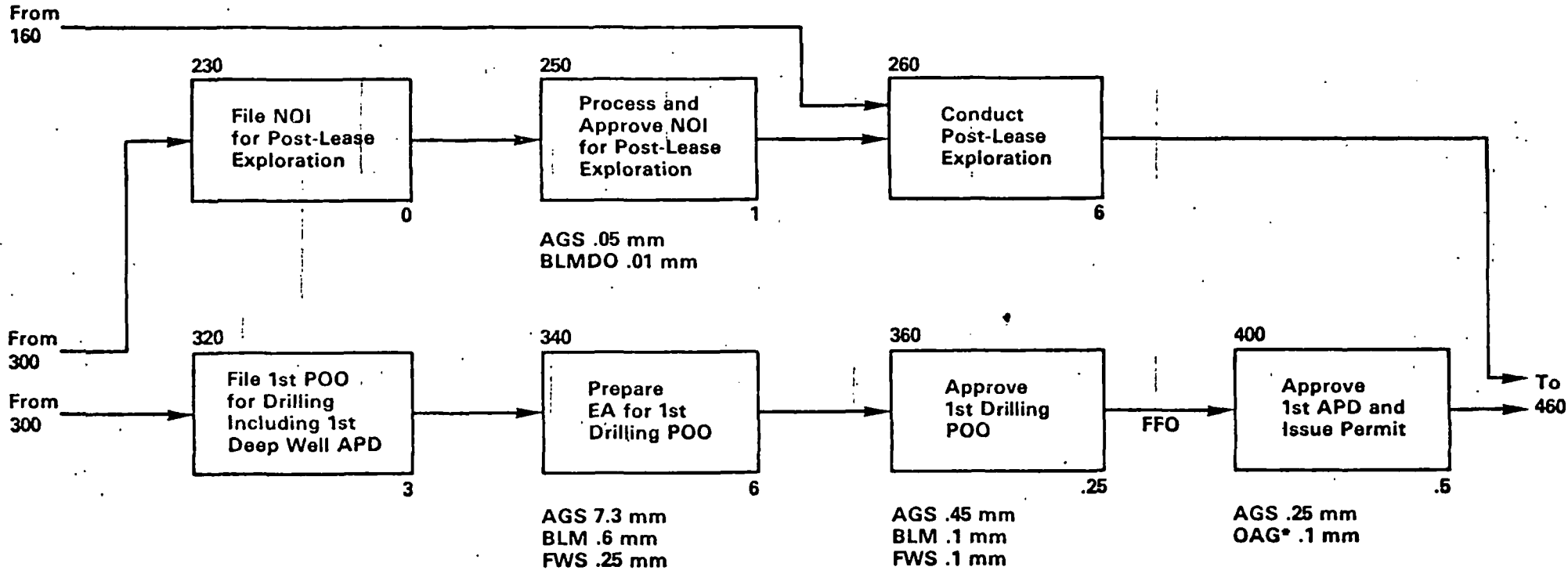




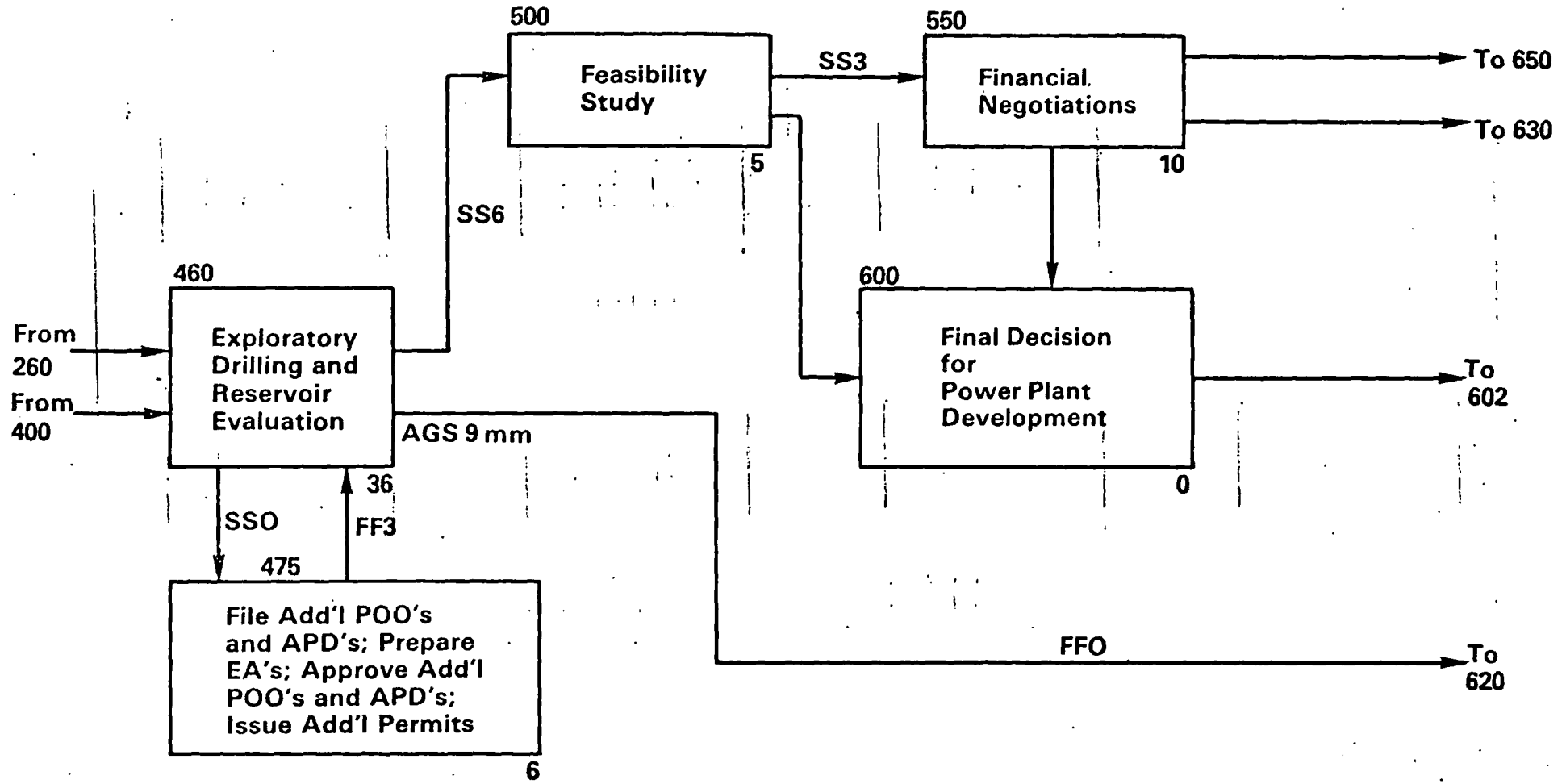
### W-5 Subsequent Development/BLM Lands



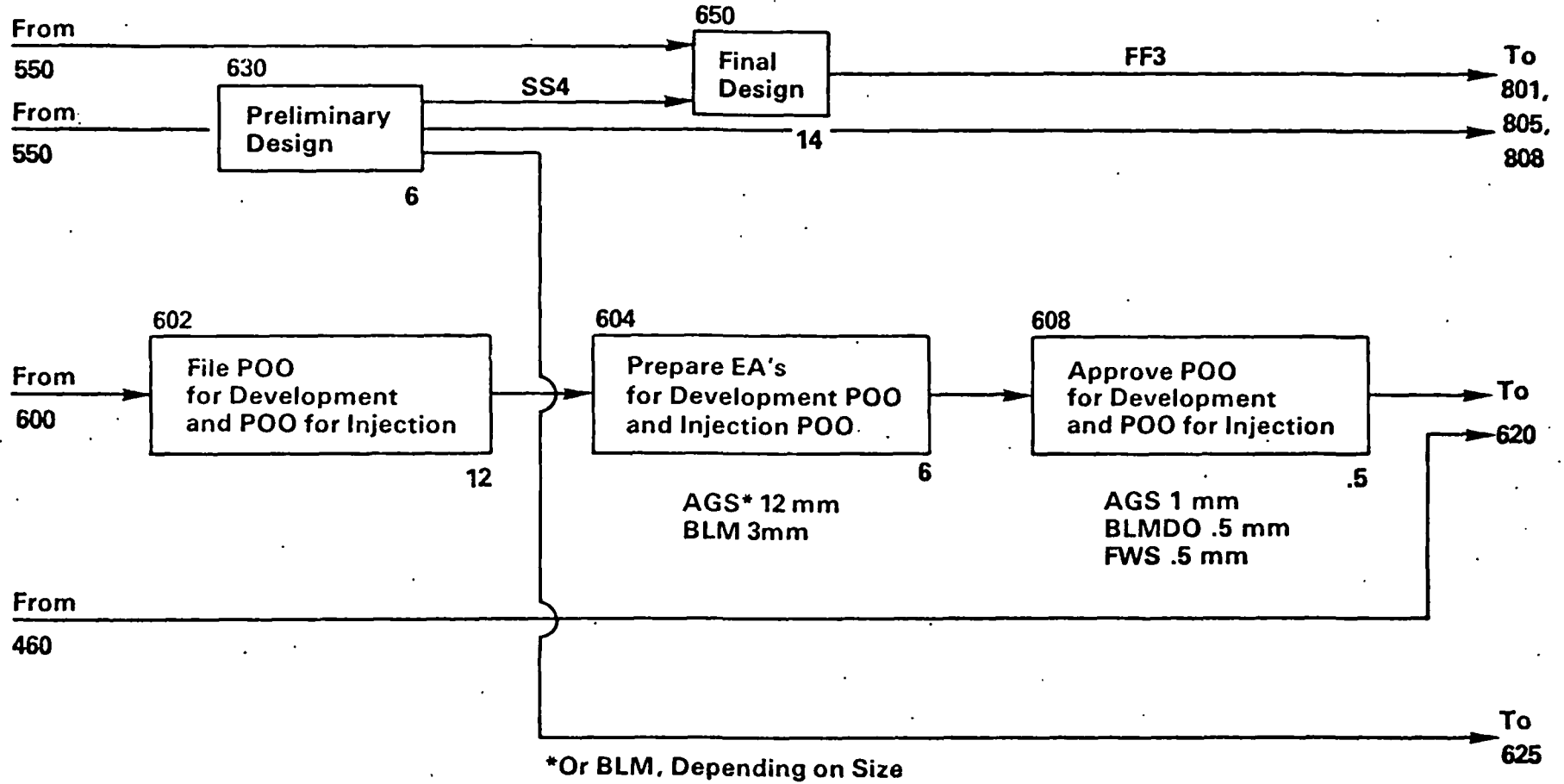
\*Pacific Region Only



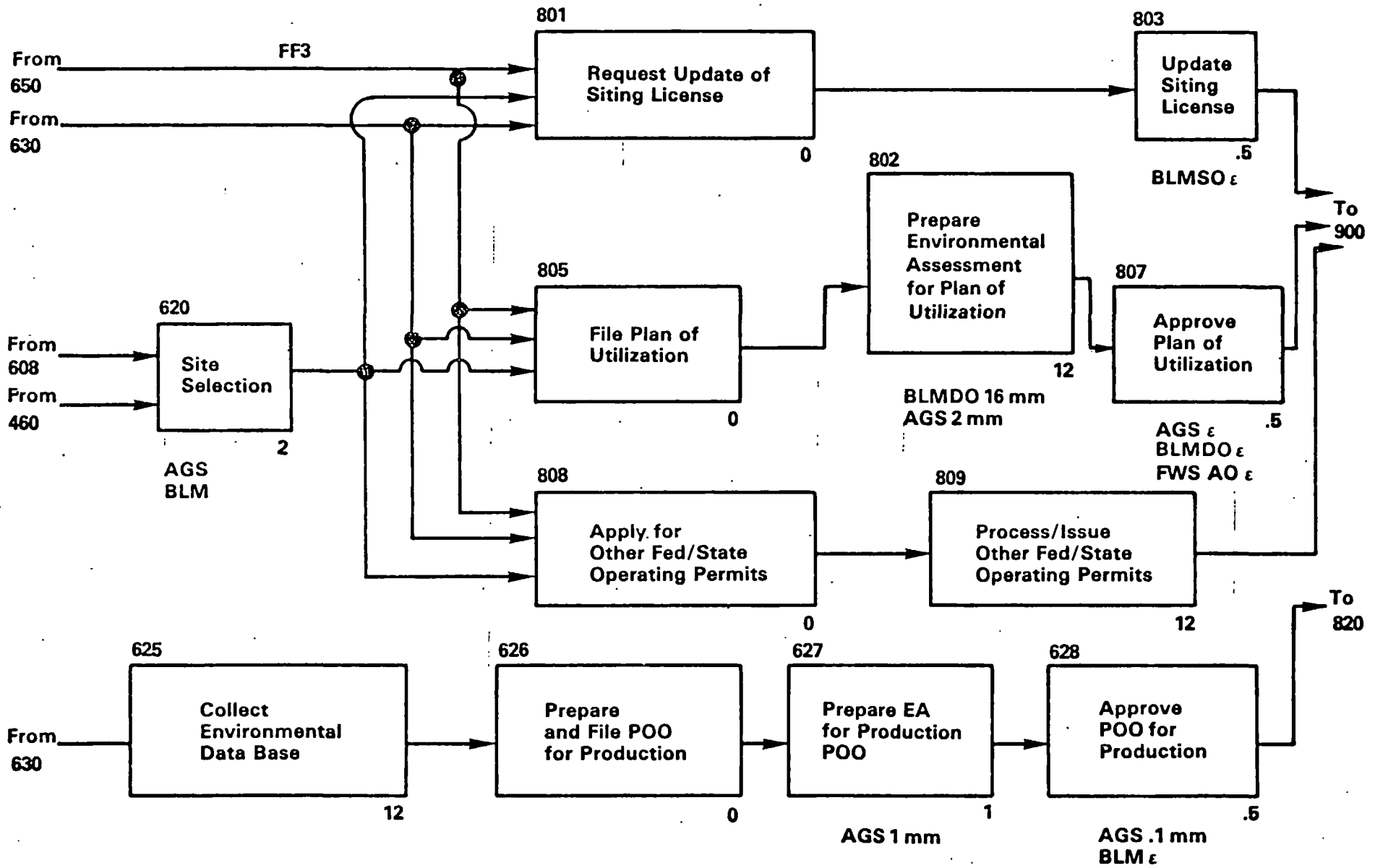
\*Pacific Region Only

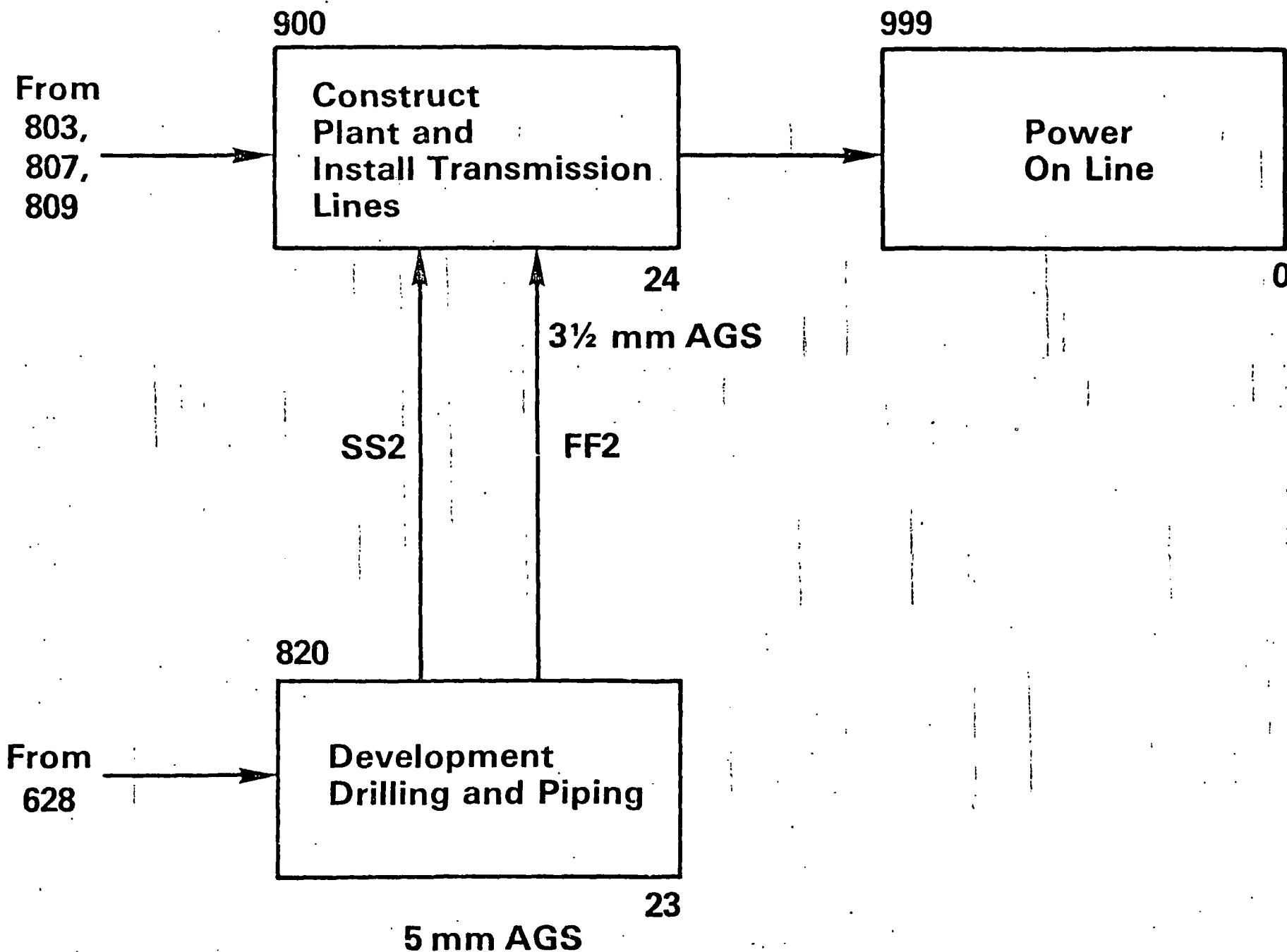


AGS 41 mm  
BLM 3.5 mm  
OAG .7 mm  
FWS 1.6 mm



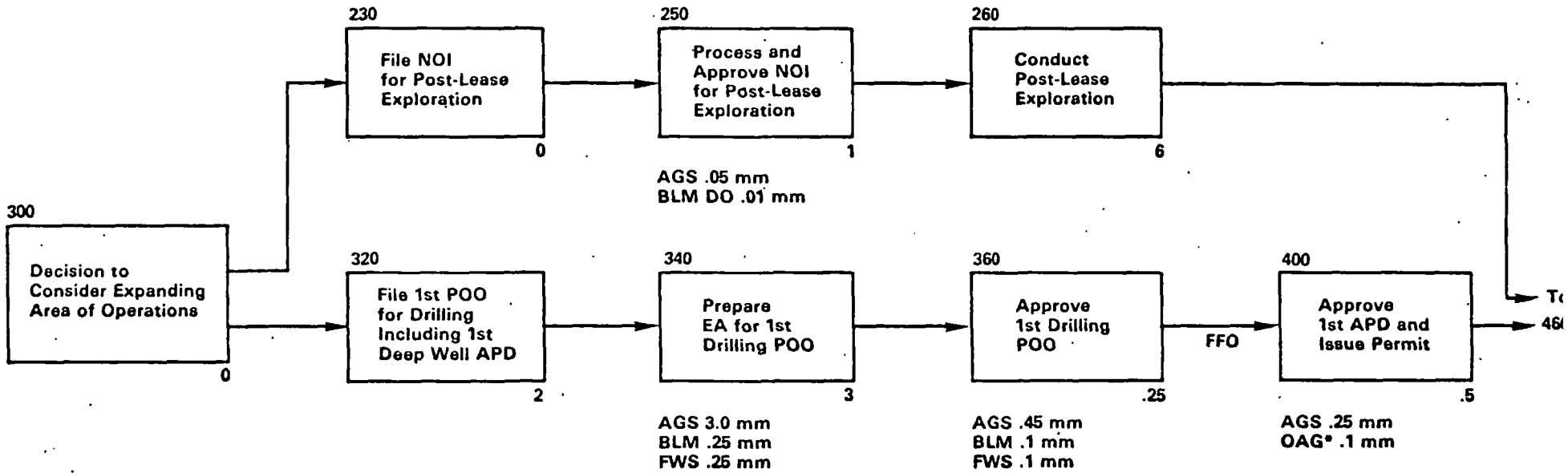
\*Or BLM, Depending on Size



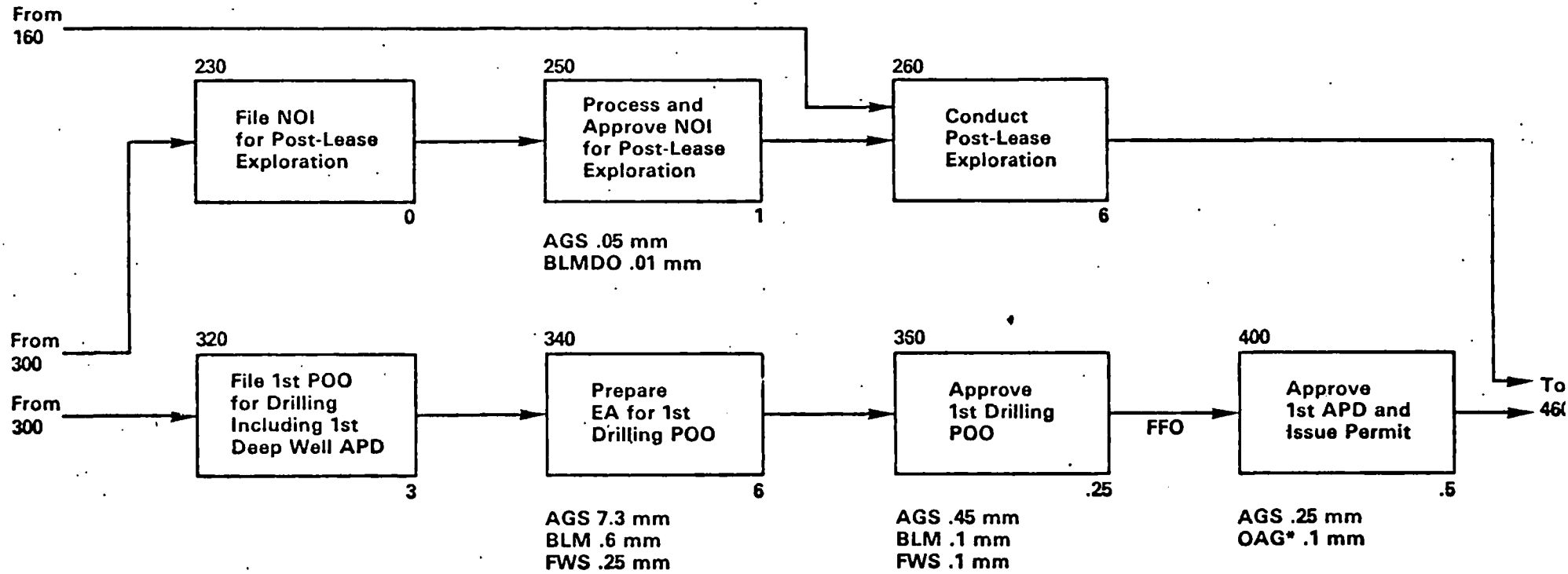




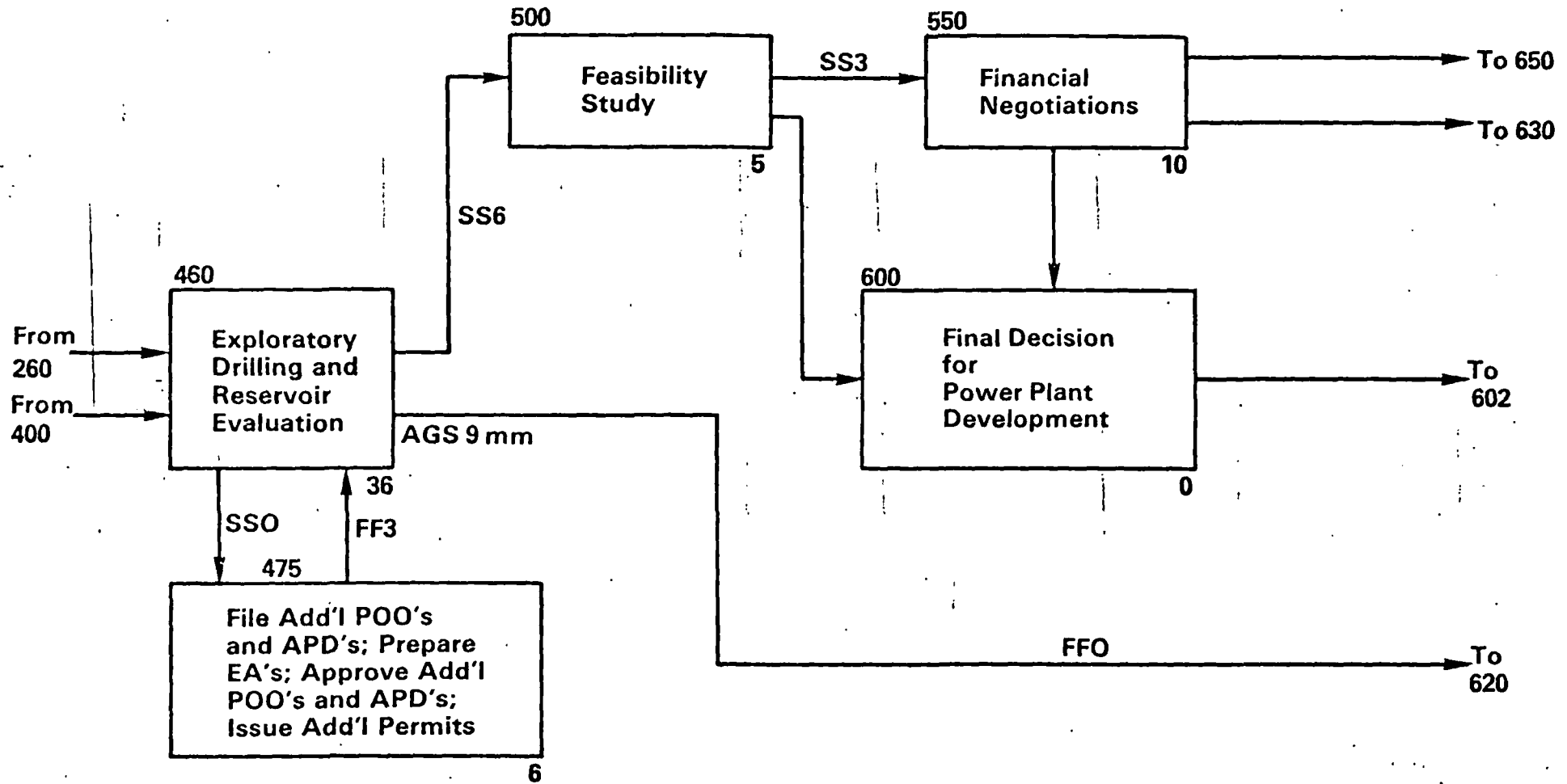
### W-6 Subsequent Development/FS Lands



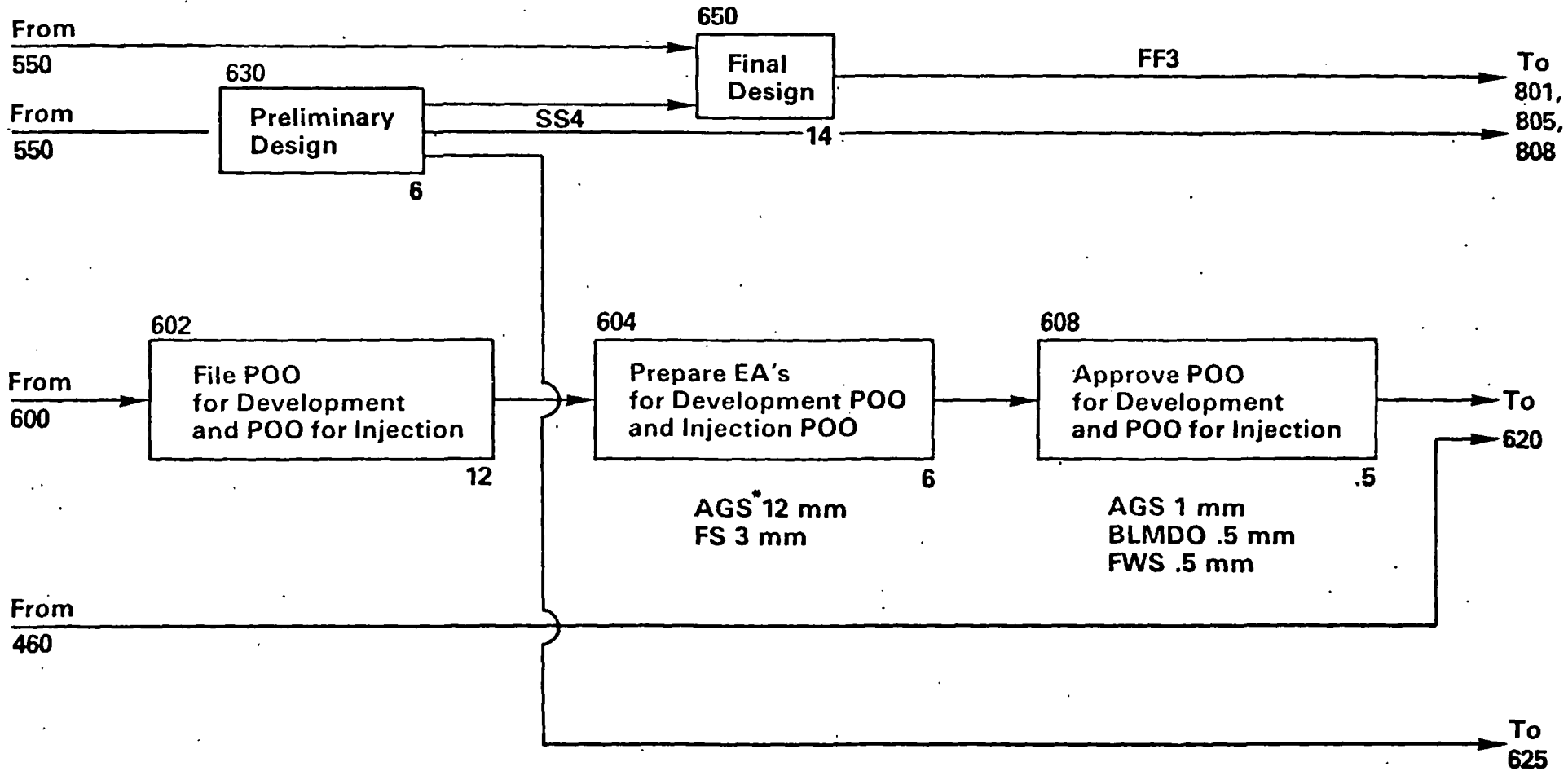
\*Pacific Region Only



\*Pacific Region Only



AGS .41 mm  
BLM 3.5 mm  
OAG .7 mm  
FWS 1.6 mm



\*OR BLM, Depending on Size

