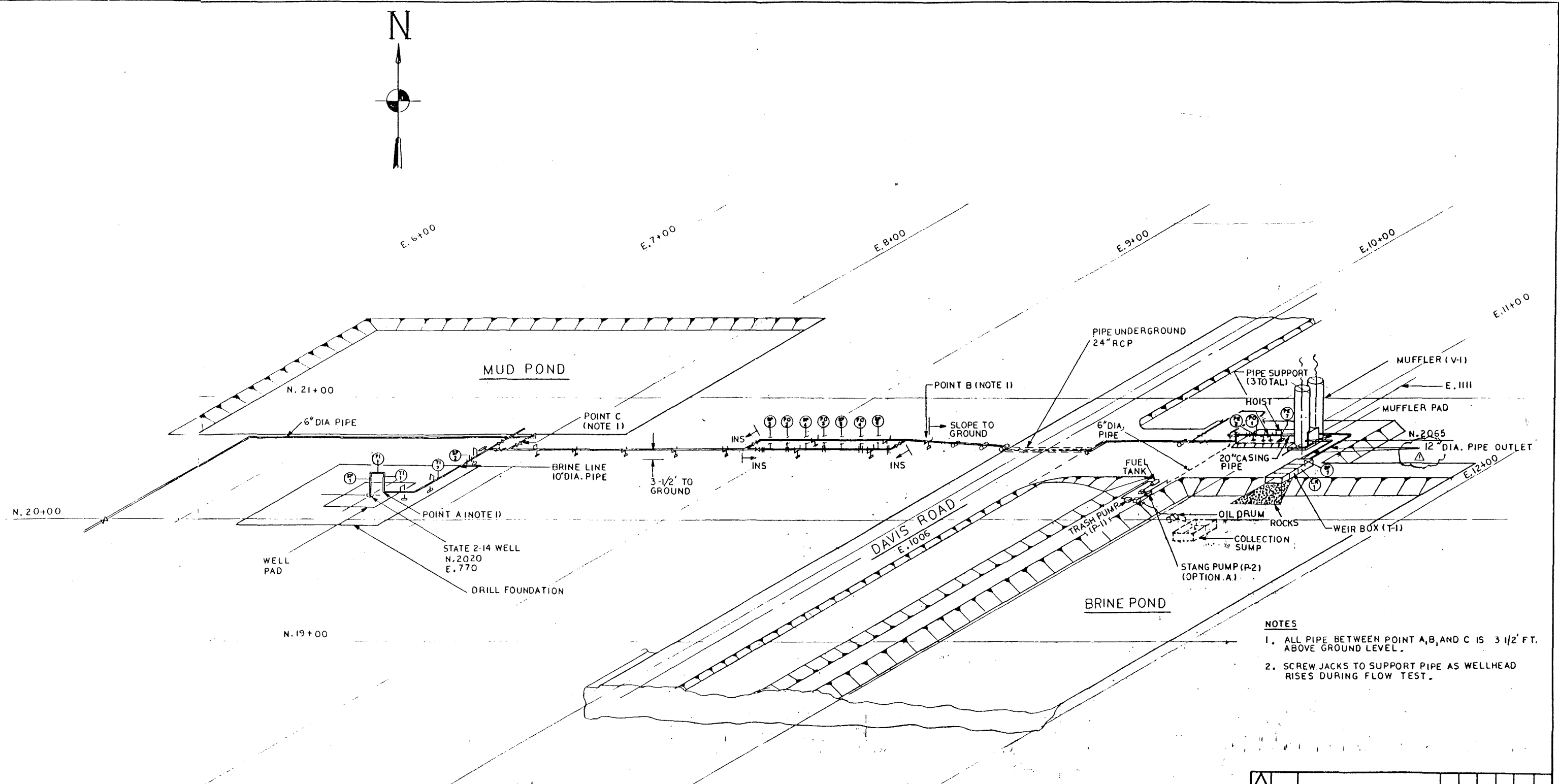
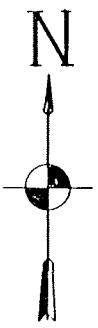
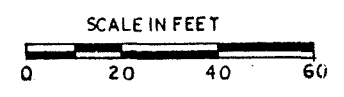


CALIFORNIA DIVISION OF OIL AND GAS APPROVED
WELL DESIGN FOR THE SALTON SEA SCIENTIFIC DRILLING PROGRAM

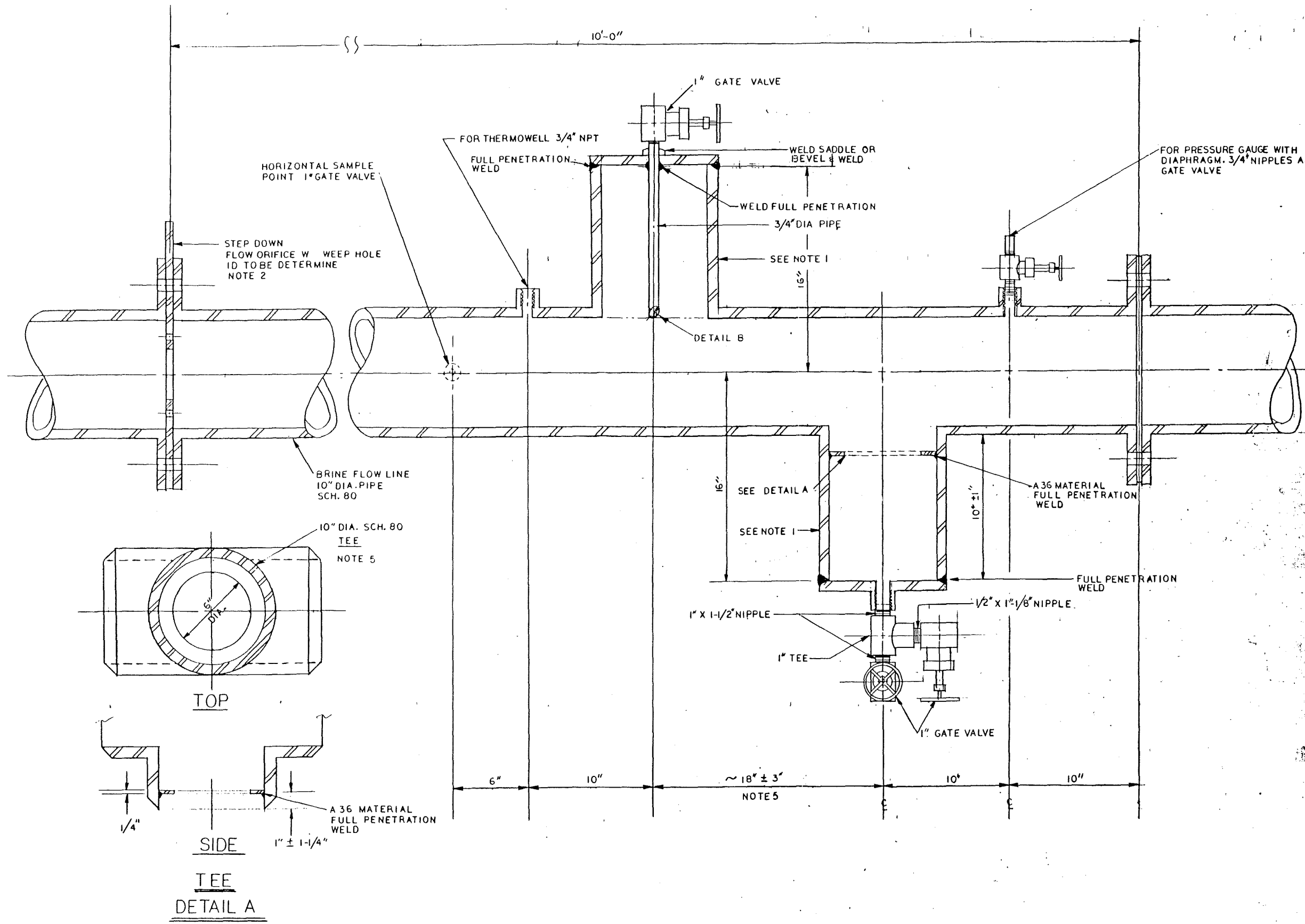


- NOTES**
1. ALL PIPE BETWEEN POINT A, B, AND C IS 3 1/2' FT. ABOVE GROUND LEVEL.
 2. SCREW JACKS TO SUPPORT PIPE AS WELLHEAD RISES DURING FLOW TEST.

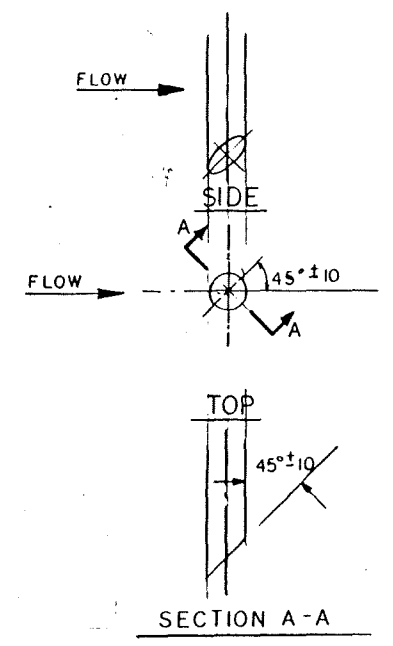
ISOMETRIC



△									
△	18" was 10" DIA								
△	9/3/69	ISSUED FOR BID		JH	R	DR	DR		
NO.	DATE	REVISIONS	BY	CHEK	DATE	DATE	DATE	DATE	DATE
SCALE 1" = 20'-0"		DESIGNED	J.L.	DRAWN					
BECHTEL NATIONAL, INC. SAN FRANCISCO									
SALTON SEA SCIENTIFIC DRILLING PROJECT									
GENERAL ARRANGEMENT ISOMETRIC									
	JOB No.	DRAWING No.		REV.					
	16937	16937-P001-008		1					



DETAIL B



NOTES:

1. 10" DIA. PIPE
2. ORIFICE WILL BE LOCATED UPSTREAM OF SAMPLE POINT SP-3, 4, 5, AND 6 (DWG 16937-P001-004 REV. 2 AND 16937-P001-006 REV. 0) 1/4" HIGH STRENGTH STEEL
3. DIMENSION MEASUREMENT ± 1"
4. ALL MATERIALS - CLASS 600 OR SCH. 80 MATERIAL
5. BUTTWELD OFF-THE-SHELF 10" TEES

DATE	ISSUED FOR BID	BY	CHE	DATE	BY	DATE	BY	DATE	BY
9/3/65									
SCALE	1/4" = 1'-0"	REVISIONS		BY	DATE	BY	DATE	BY	DATE

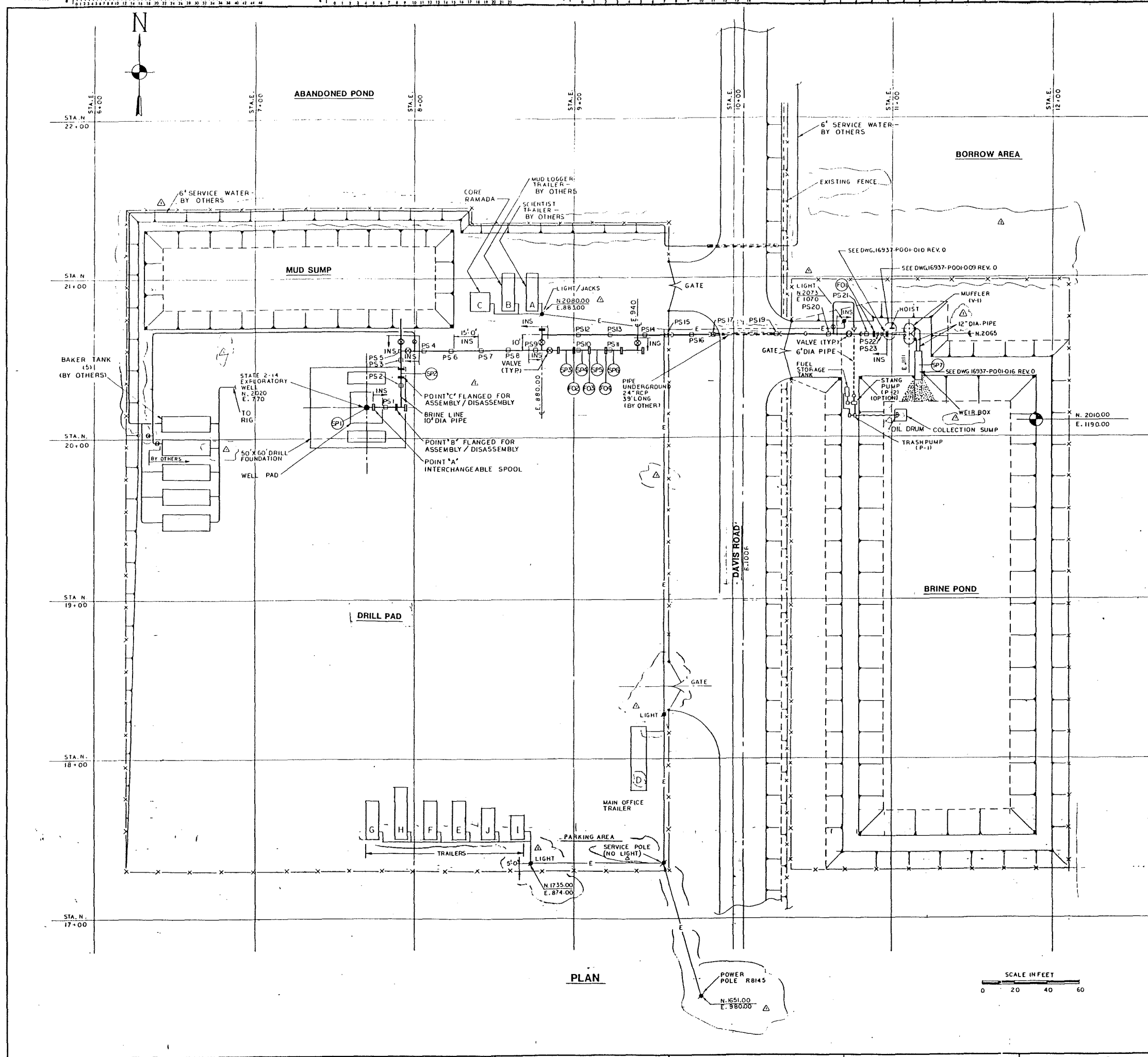
BECHTEL NATIONAL, INC.
SAN FRANCISCO

SALTON SEA SCIENTIFIC
DRILLING PROJECT

SAMPLE LOCATION (SPOOL)
SCIENTIST
SP-3, 4, 5 and 6

	JOB NO.	DRAWING NO.	REV.
	16937	16937-P001-0014	0

This drawing and the design it covers are the property of BECHTEL. They are hereby loaned and in the borrower's express agreement that they will not be reproduced, copied, altered, exhibited, or used except in the limited way and amount as permitted by any written consent given by the lender to the borrower.



LEGEND
 SP1-DWG. 16937-0006-001 REV. 0
 SP3,4,5-DWG. 16937-P001-014 REV. 0
 SP2-DWG. 16937-P001-015 REV. 0

NOTE
 PS: ELEVATED PIPE SUPPORT.

TRAILER & RAMADA SCHEDULE

UNIT	SIZE	USE	PHONE
A	8' X 24'	SCIENTIST	0
B	8' X 24'	MUD LOGGER	0
C	12' X 12'	RAMADA-CORE WASH	0
D	10' X 40'	OPERATIONS- BECHTEL	3
E	8' X 24'	SCIENTIST	1
F	8' X 24'	SUPERVISOR- BECHTEL	1
G	8' X 24'	DRILLER-PUSHER	1
H	8' X 33'	DRILLING SUPERV'R	1
I	8' X 15'	DOE REP OFFICE	0
J	8' X 20'	DOE REP QUARTERS	1

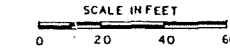
BECHTEL NATIONAL, INC.
 SAN FRANCISCO

SALTON SEA SCIENTIFIC DRILLING PROJECT

GENERAL ARRANGEMENT PLAN

JOB NO.	DRAWING NO.	REV.
16937	16937-P001-006	1

34x44 "E" SIZE



PLAN