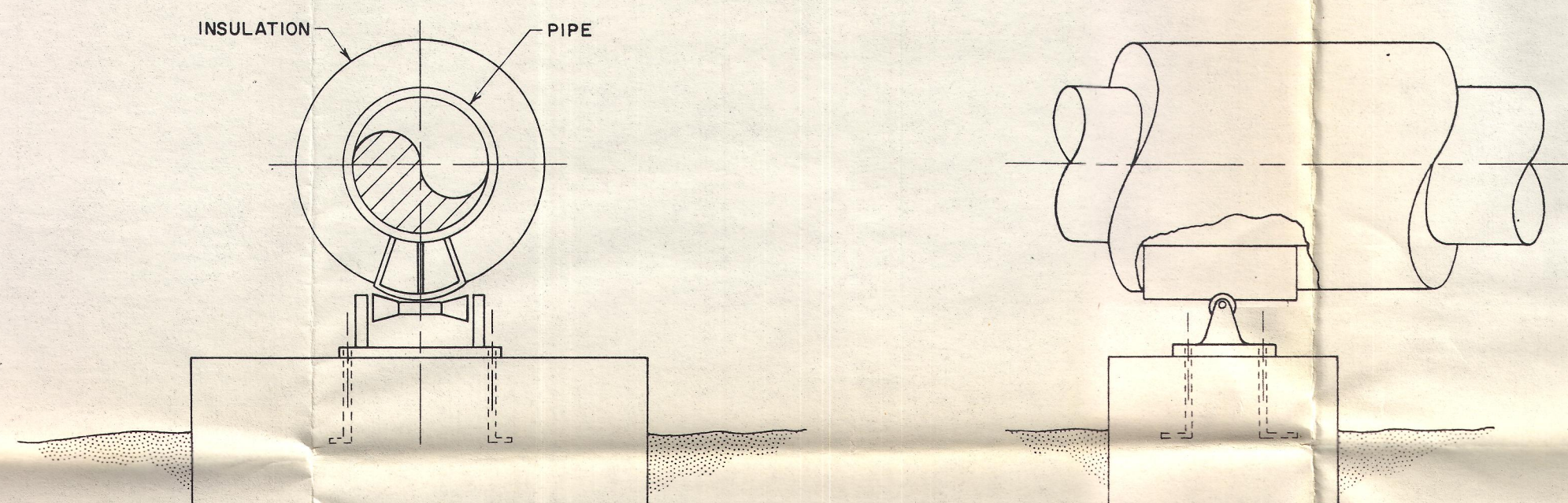
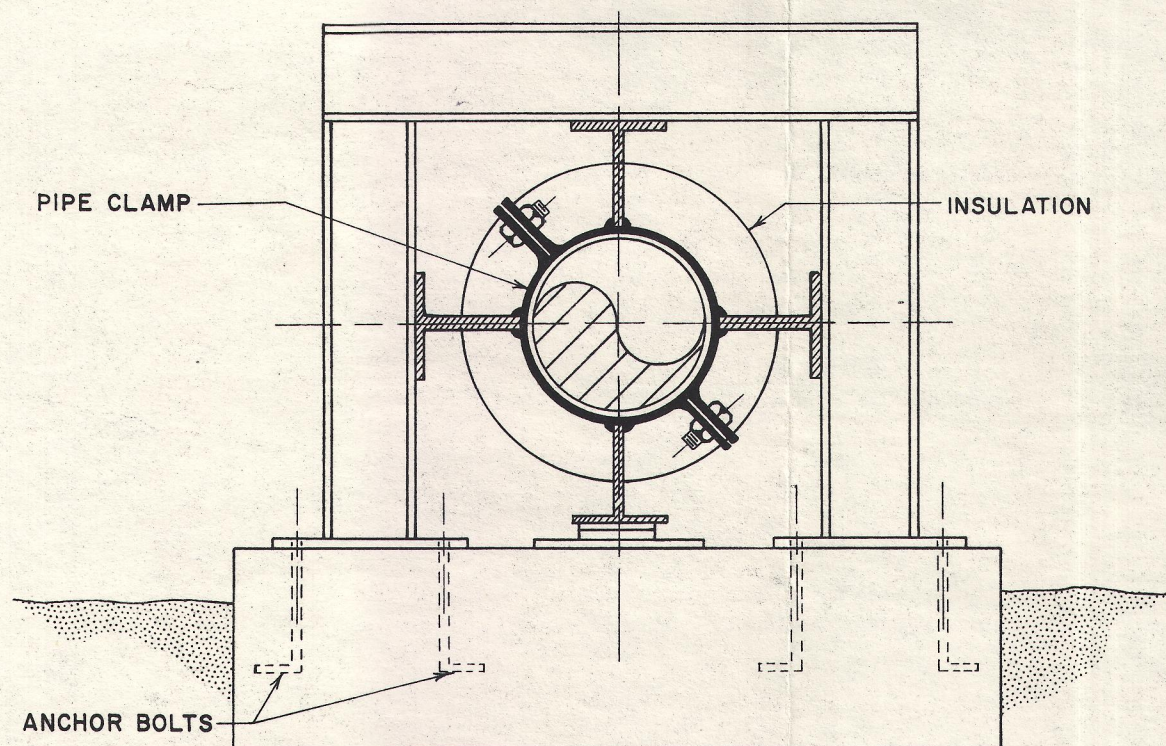


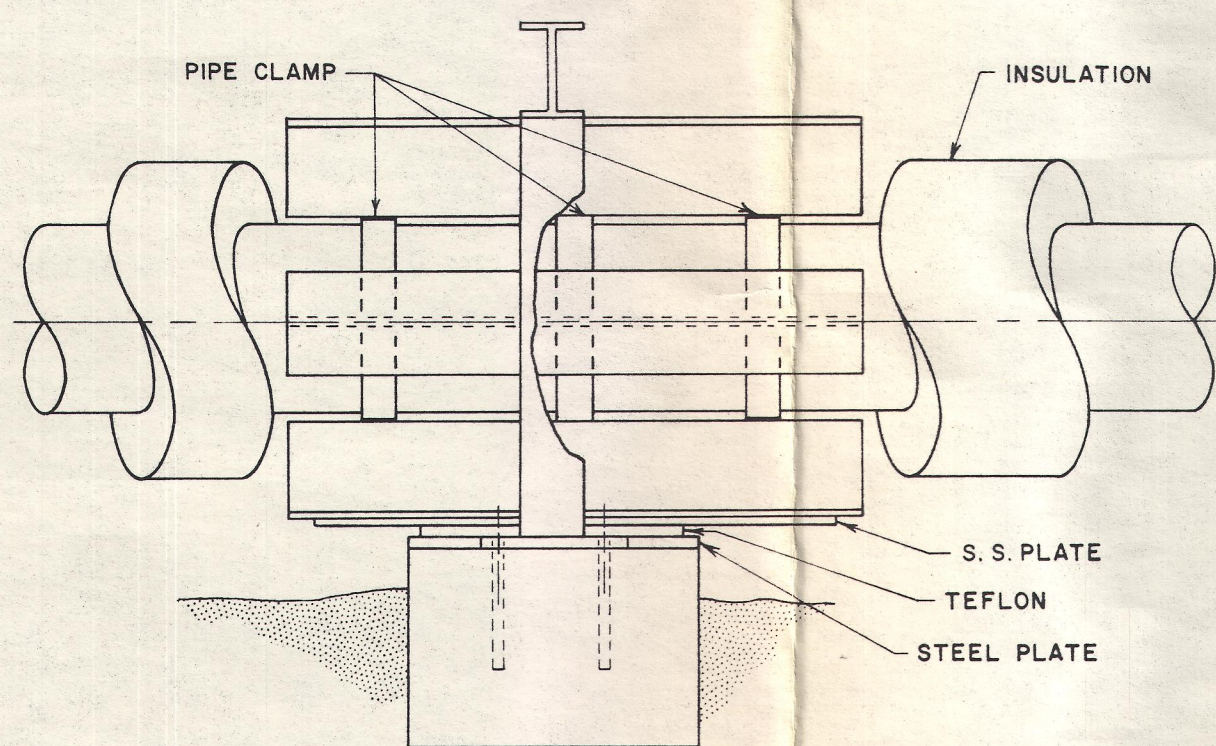
PARTIAL PLAN - TYPICAL PIPING ARRANGEMENT
SCALE : 1" = 50'-0"



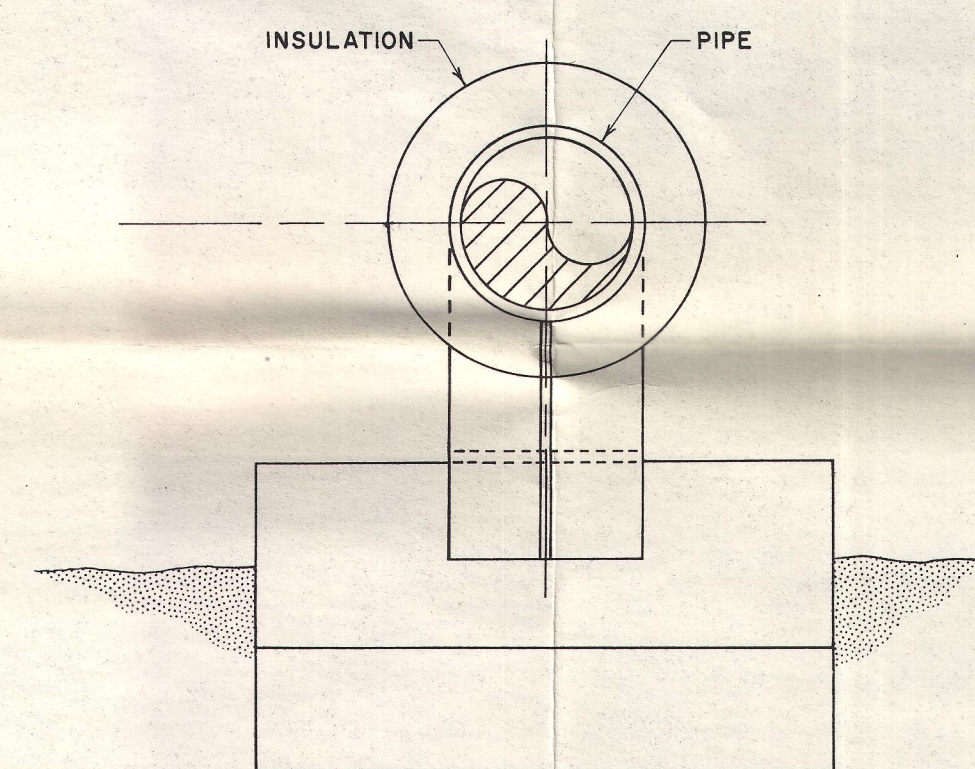
DETAIL "1" - TYPICAL PIPE SUPPORT
SCALE : 1" = 1'-0"



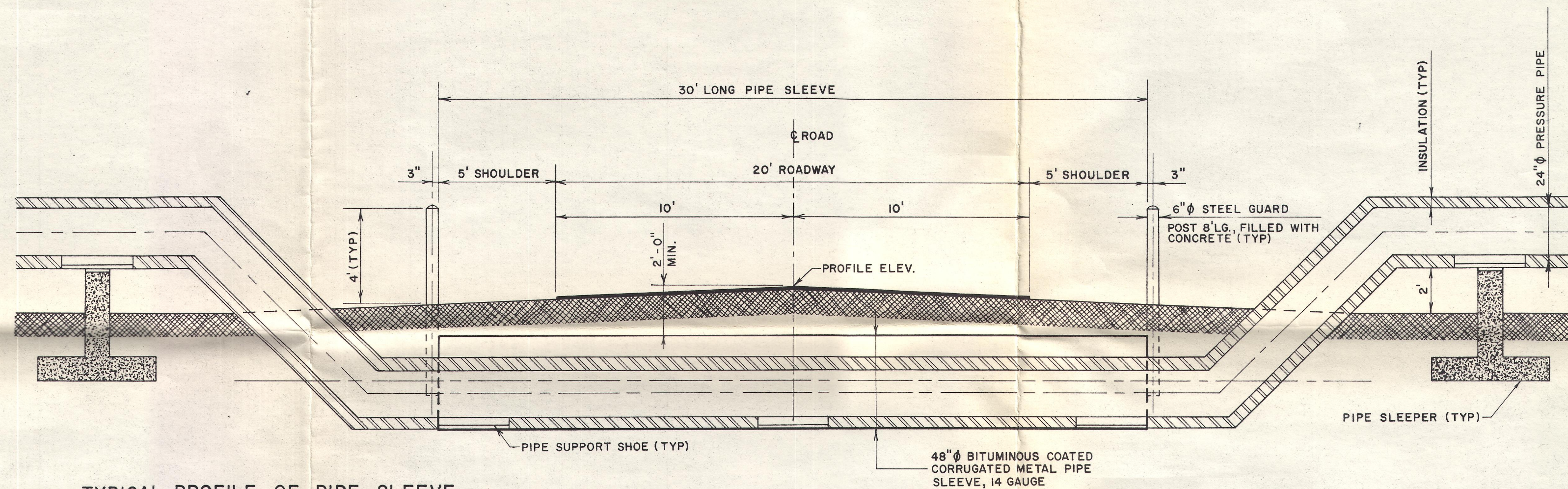
DETAIL "2" - TYPICAL PIPE GUIDE (SPACED AT 100')
SCALE : 1" = 1'-0"



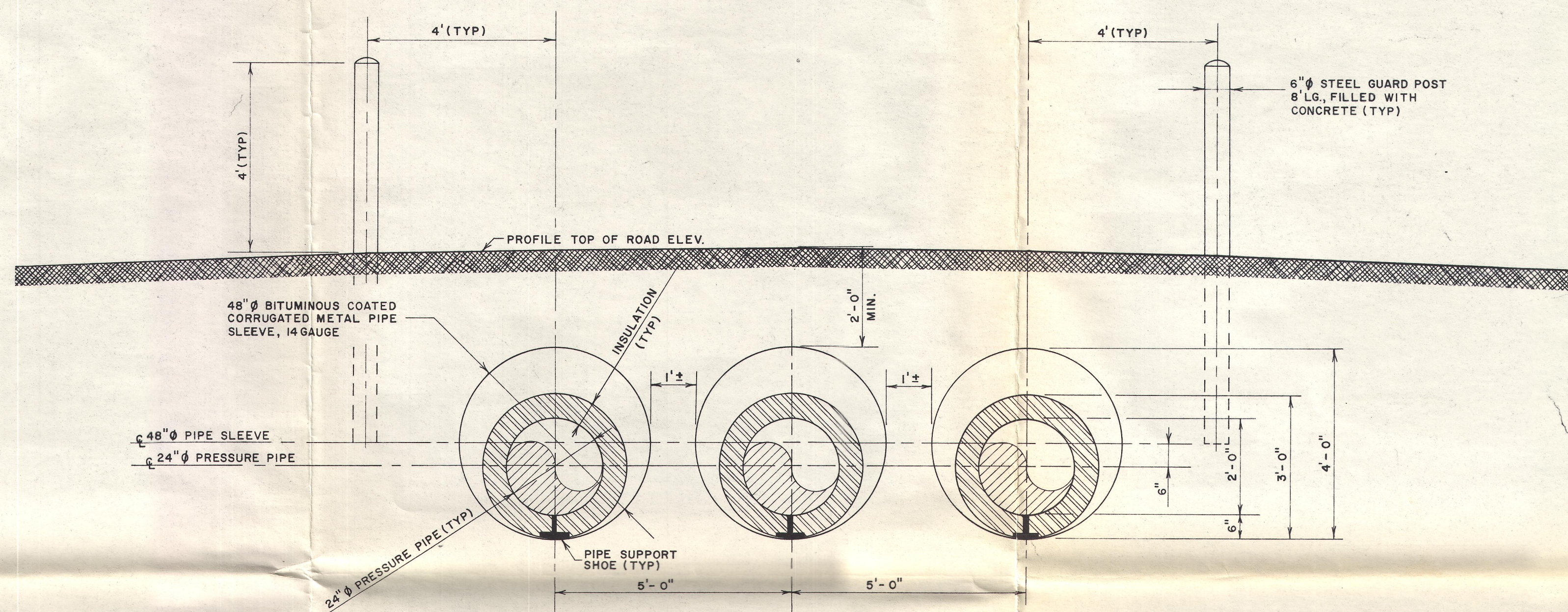
DETAIL "3" - TYPICAL PIPE ANCHOR
SCALE : 1" = 1'-0"



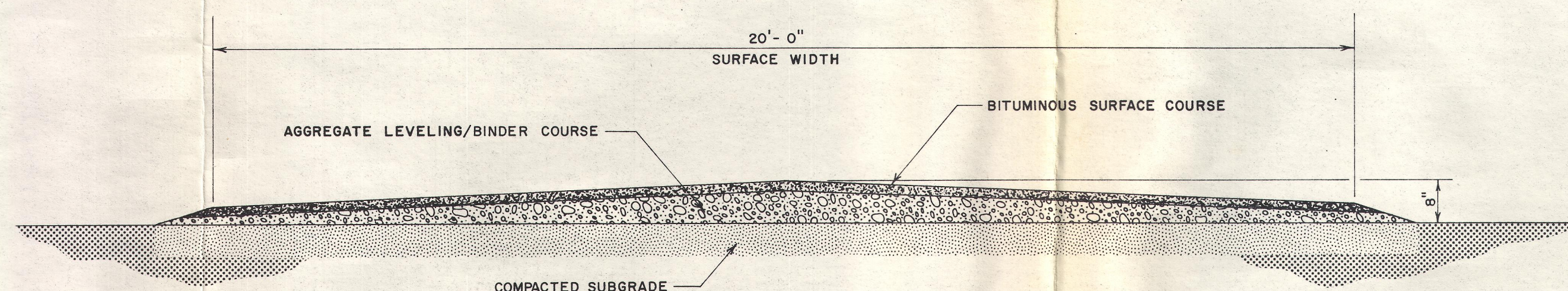
DETAIL "4" - TYPICAL SLIDING PIPE SUPPORT
SCALE : 1" = 1'-0"



TYPICAL PROFILE OF PIPE SLEEVE
SCALE : 1" = 4'-0"



TYPICAL SECTION OF PIPE SLEEVE
SCALE : 1/2" = 1'-0"



TYPICAL SECTION OF PAVED ROAD
SCALE : 1/2" = 1'-0"

NOTE : THESE DETAILS ARE SUBJECT TO CHANGE.

REPUBLIC GEOTHERMAL, INC.	
<small>11823 E. SLAUSON AVE. SUITE 1, SANTA FE SPRINGS, CA 90670 (213) 699-2255 685-8257</small>	
EAST MESA GEOTHERMAL PROJECT ENGINEERING DETAILS	
Drawn By: RLW	Date: 1/16/78
Checked By: WJC	Scale: AS NOTED
Approved By: <i>[Signature]</i>	Dwg. No.: 199-15