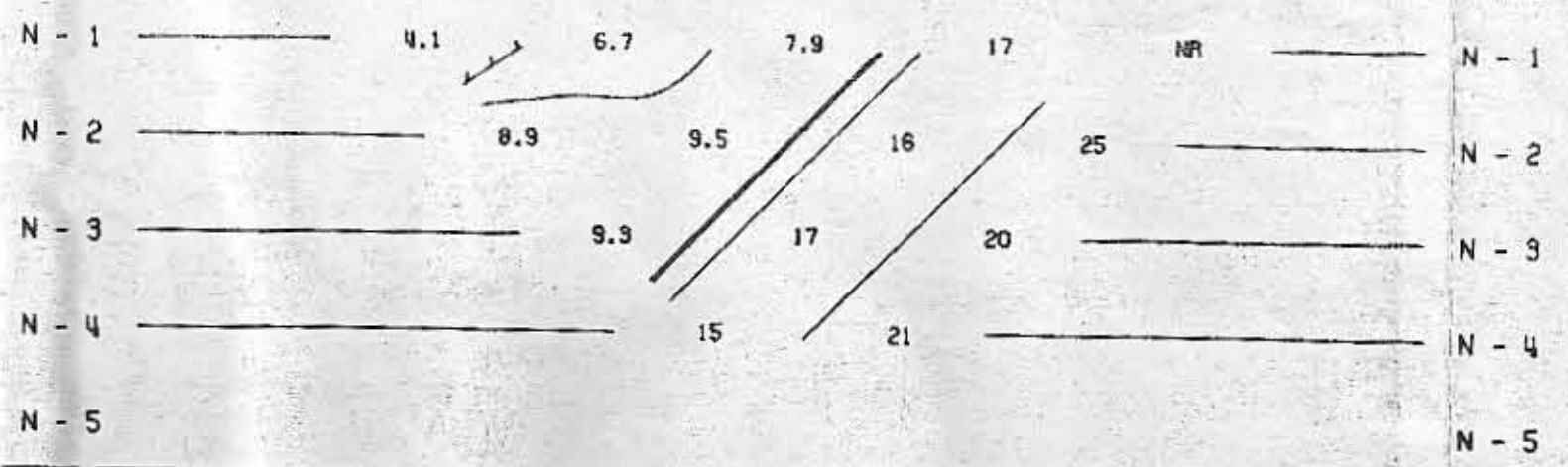


GL04452-3

L-7

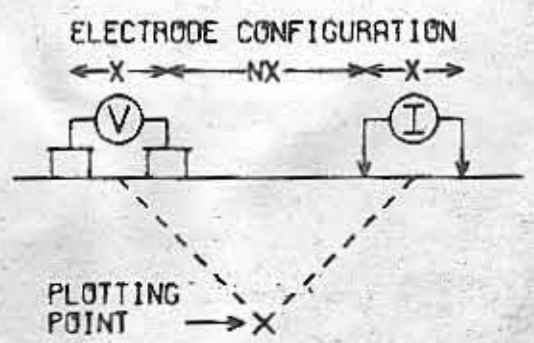
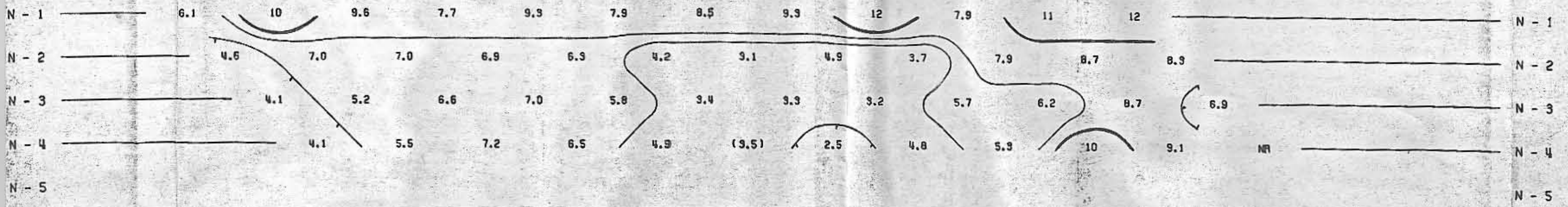
40W 20W 0 20E 40E 60E 80E 100E L-7

RESISTIVITY (APP.) IN OHM FEET / 2π



L-8 40W 20W 0 20E 40E 60E 80E 100E 120E 140E 160E 180E 200E 220E 240E 260E 280E 300E L-8

RESISTIVITY (APP.) IN OHM FEET / 2π



SURFACE PROJECTION OF ANOMALOUS ZONES

DEFINITE PROBABLE

FREQUENCY: 0.125HZ

DATE SURVEYED: OCT 1973

NOTE: CONTOURS AT LOGARITHMIC INTERVALS 1.-1.5-2.-3.-5.-7.5-10

APPROVED

DATE: 11/4/74

DWG. NO. - R - 6126-1

NM/Baca-26
UNION OIL COMPANY

BACA PROPERTY, VALLES CALDERA AREA, SANDOVAL COUNTY, NEW MEXICO

LINE NO. - 7 (X=2000FT)
LINE NO. - 8 (X=2000FT)

McPHAR GEOPHYSICS