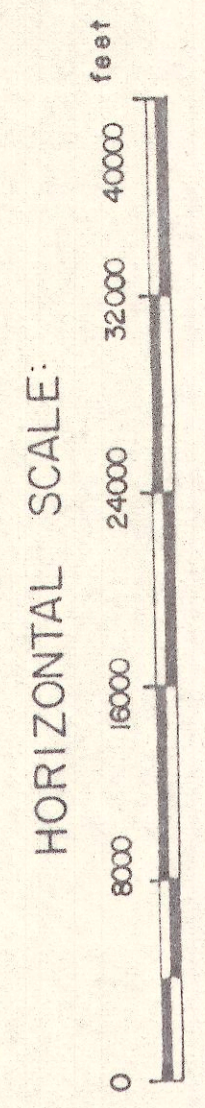
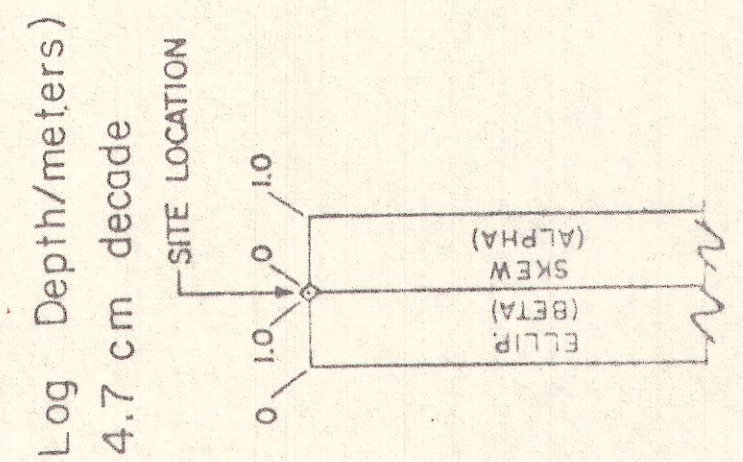


BASED ON ONE DIMENSIONAL INVERSIONS

**LEGEND**



VERTICAL SCALE:  
Log Depth/(meters)  
4.7 cm decade



**GEOTRONICS CORP.**  
AUSTIN, TEXAS USA  
MAGNETOTELLURIC SURVEY SURVEY CODE UUR  
ROOSEVELT HOT SPRINGS II 183

TITLE  
**SKEW AND ELLIPTICITY LINE-C/D**

PREP. BY	DATE	PLATE NO.
CHKD. BY		
DRN. BY		
APPD. BY		
DATE		
REVISIONS:	No.	DATE

7.2

LINE-D

LINE-C