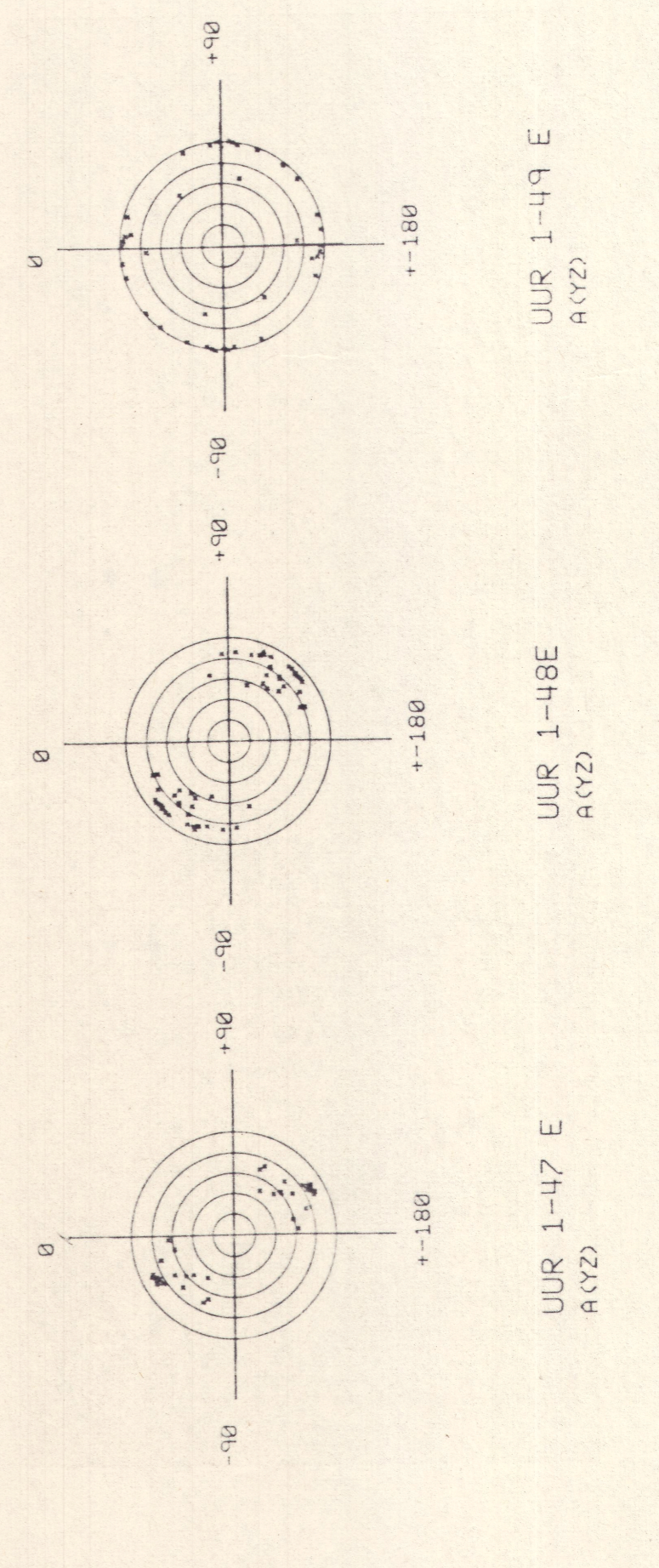
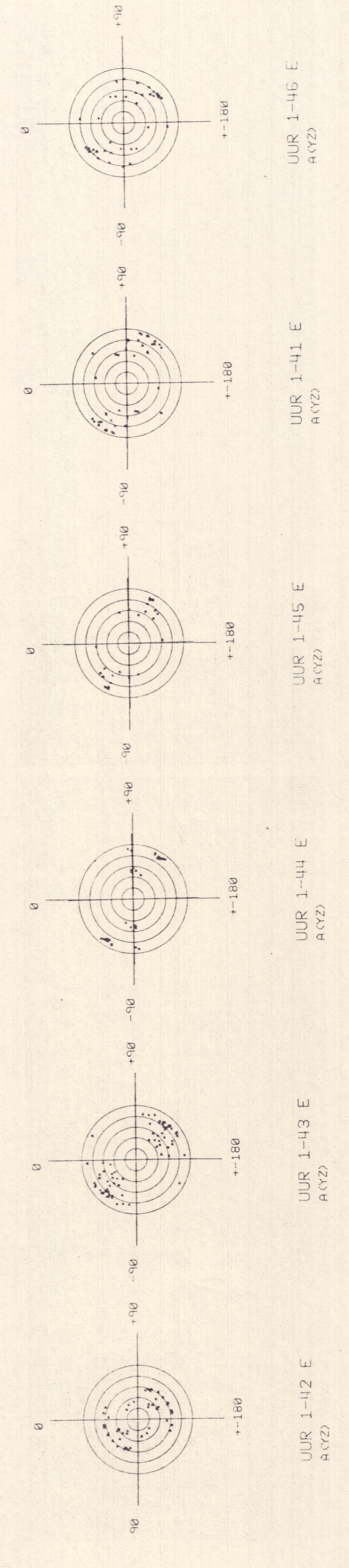
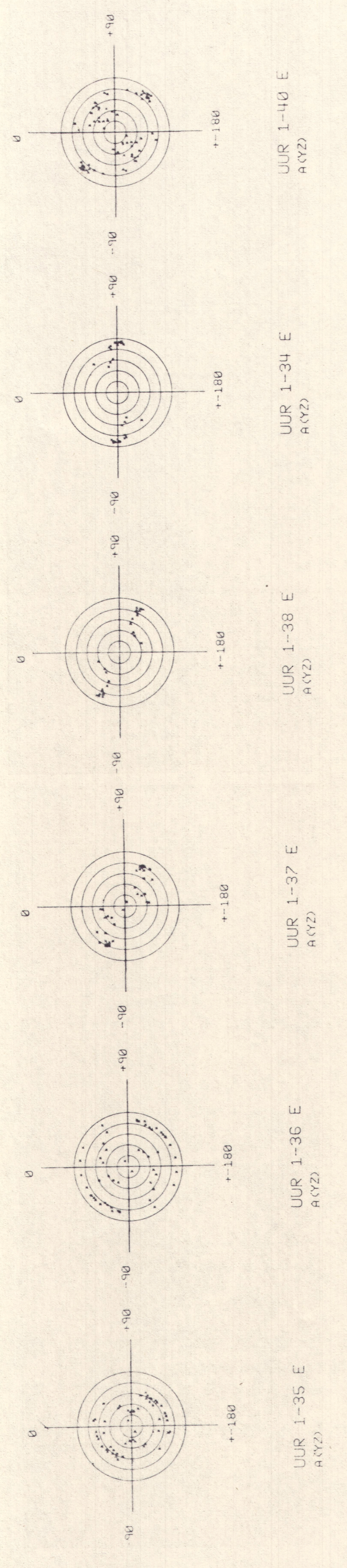
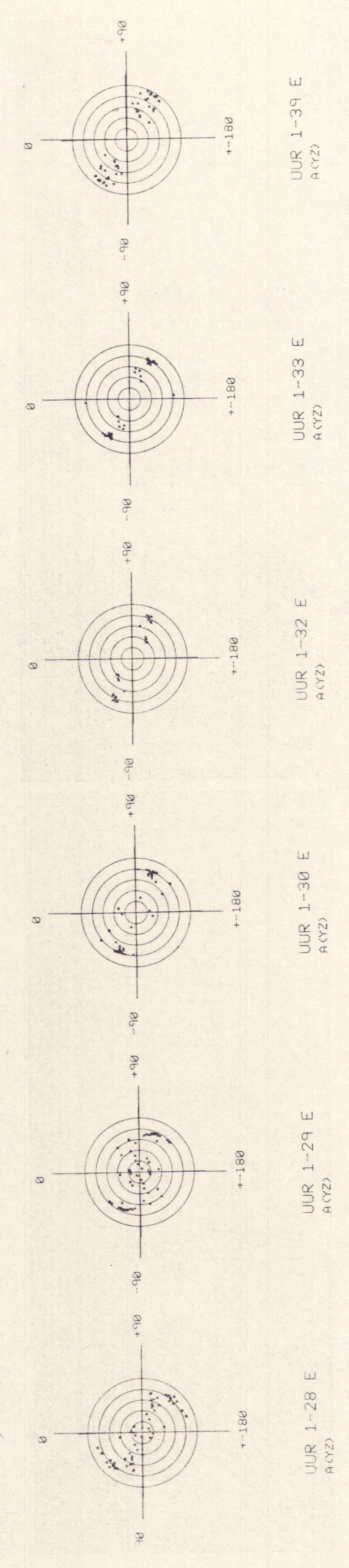
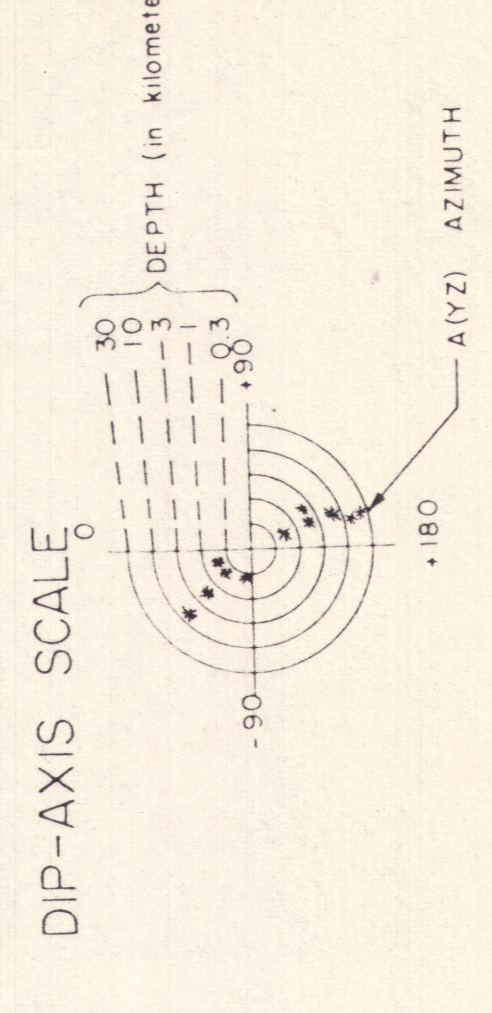


BASED ON ONE DIMENSIONAL
INVERSIONS

LEGEND



GEOTRONICS CORP.
AUSTIN, TEXAS U.S.A.

MAGNETOTELLURIC SURVEY PROJECT CODE
ROOSEVELT HOT SPRINGS III UUR

TITLE

DIP AXIS

PREP. BY: J.P. Smith PLATE NO.
CHKD. BY: J.S.
DRN. BY: J.S.
APPR. BY: J.S.
DATE: DATE

REVISIONS:

NO.	DATE

6.2