

6107341\_2

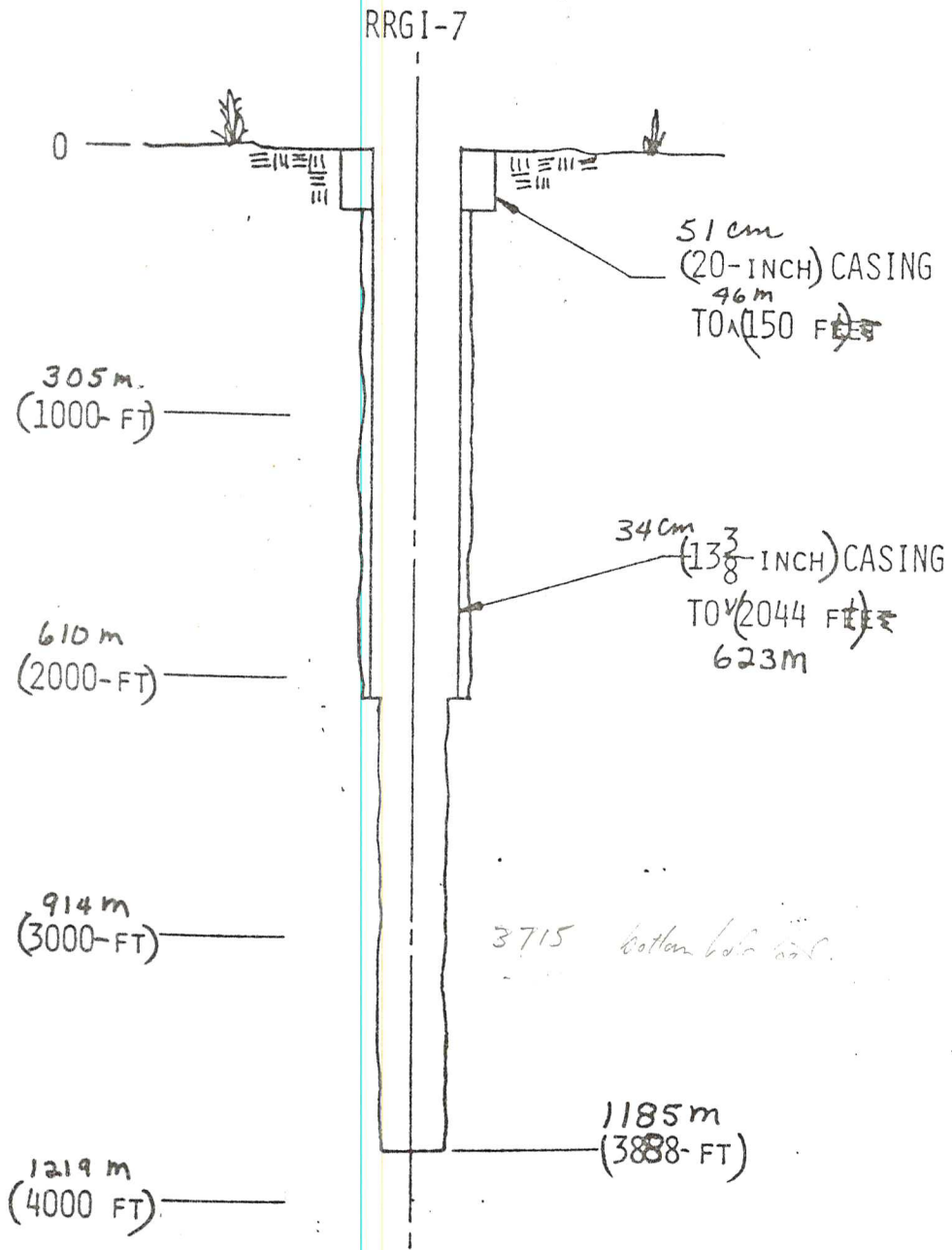


Figure 3 Sub Surface Well Status